

# desire



Unique European design, *soft, smooth, spacious.*  
Bathroom design has changed forever. *Practical, clean and easy.*  
Large basin and counter top area, *soft-close doors & drawers,* latest in  
handle trim, with your choice of select *laminex or gloss polyurethane*  
*Australian made* cabinetry.

**desire.**

Desire 900 RH  
wall hung  
white gloss polyurethane.



Universal chrome waste included.



Desire units are fitted with ADP's soft-close charcoal drawers.

## Laminex® Inspire your space™

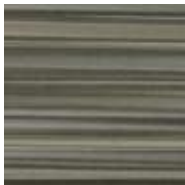
Customise your Desire unit with the latest in new-age Laminex finishes. Laminex finishes are a durable high-pressure laminate applied to a moisture resistant, three-layered board designed for areas of high humidity, or where accidental wetting may occur.



mushroom



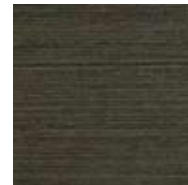
stringy bark



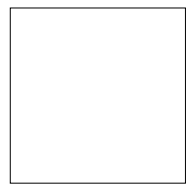
fudge stream



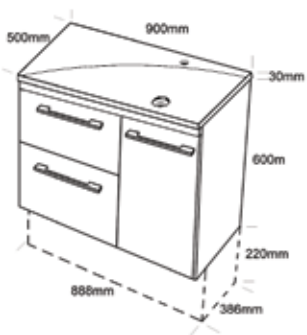
lustrous elm



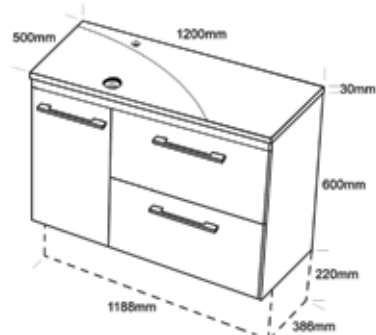
licorice linea



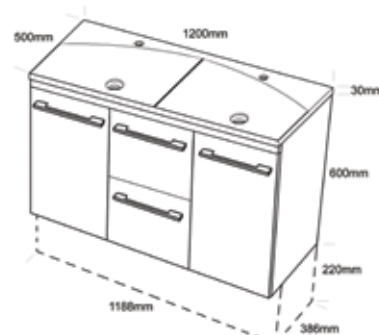
white gloss  
polyurethane.



Desire 900  
available left or  
right hand bowl.



Desire 1200 single  
available left or  
right hand bowl.



Desire 1200 double

(Artists impression only)  
All sizes are nominal.



### Your bathroom. Your life.™

Visit any one of our 280 showrooms around Australia for all the latest products, concepts and inspiration to make your bathroom whatever you want it to be. And for the ultimate bathroom experience, go to one of our new bathroom life™ stores where you will find the biggest range of leading Australian and international brands.

Call **1800 032 566** or visit [www.reece.com.au](http://www.reece.com.au) for your nearest bathroom showroom.

Due to limitations in the printing process the colours in this brochure are a guide only. The manufacturer/distributor reserves the right to vary specifications or delete models from their range without prior notification. The manufacturer/distributor takes no responsibility for printing errors.

V1 Desire vanity units are covered by a 12 month warranty.

