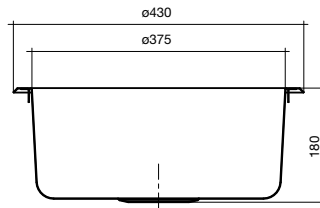
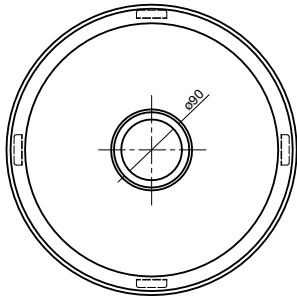


m i z u

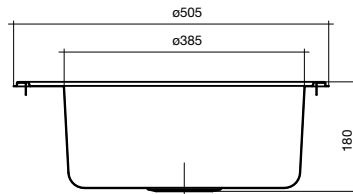
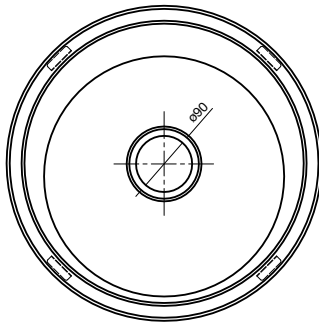




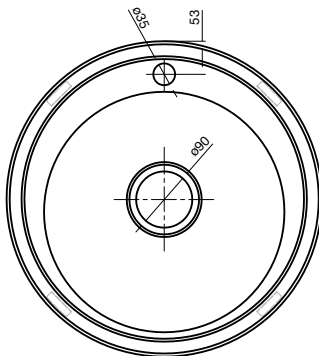
Made from 0.8 mm 304 Grade stainless steel. Sound deadening pads under bowl. Inset and undermount installation. 10 year warranty. Wooden chopping board available now and wire basket accessories available mid 2011.



round sink
430mm
accessories available



round sink
500mm, no taphole
accessories available



round sink
500mm, 1 taphole
accessories available

accessories



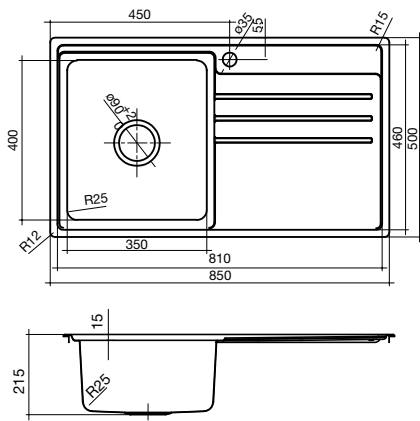
available mid 2011

chopping board
wire basket

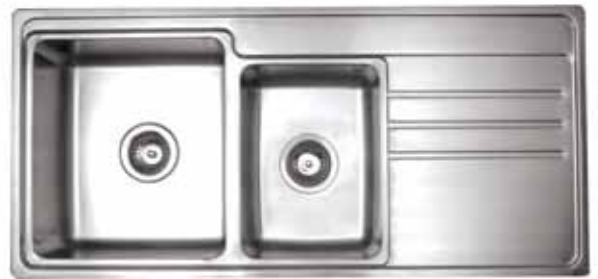
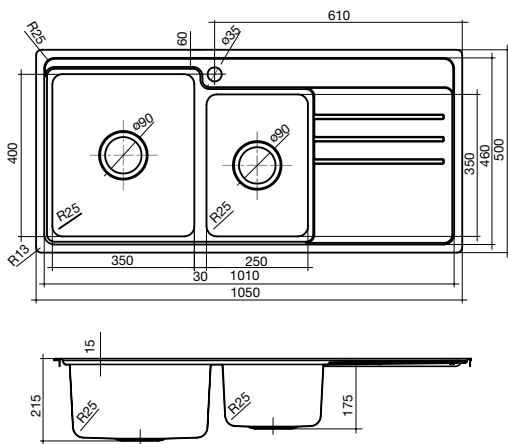


The Mizu sink collection has been designed to integrate beautifully into any kitchen space. From the precise lines of our geometric range to the smooth curves of our round sinks, they allow you to create a seamless look with a true designer edge. Elevate your kitchen above the ordinary with Mizu.

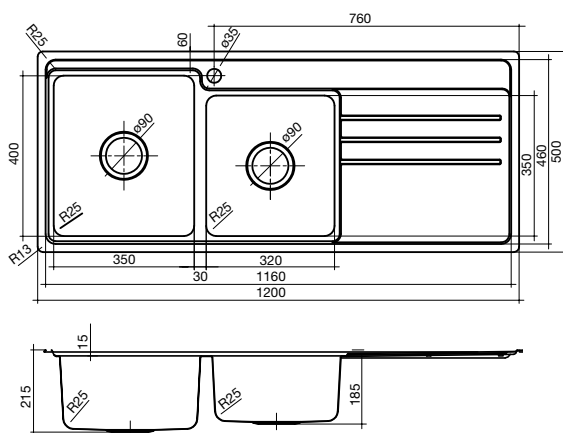
All sizes available with either left hand or right hand bowl. 0.9mm 304 Grade Stainless steel. Sound deadening pads under drainer. 10 year warranty. Wooden chopping board and colander accessories available mid 2011.



geometric sink
single bowl 850mm
accessories available



geometric sink
1 1/3 bowl 1050mm
accessories available



geometric sink
1 3/4 bowl 1200mm
accessories available

accessories



available mid 2011



available mid 2011

**chopping board
colander**

Your bathroom. Your life.™

Visit any one of our 300 showrooms around Australia for all the latest products, concepts and inspiration to make your bathroom whatever you want it to be. And for the ultimate bathroom experience, go to one of our new bathroom life™ stores where you will find the biggest range of leading Australian and international brands.

Call **1800 032 566** or visit **www.reece.com.au** for your nearest bathroom showroom.

Due to limitations in the printing process the colours in this brochure are a guide only. The manufacturer/distributor reserves the right to vary specifications or delete models from their range without prior notification. The manufacturer/distributor takes no responsibility for printing errors. 10 year warranty on sinks.

m i z u

