

AXXA[®]

passion for ceramic



LO SPIRITO ITALIANO DEL DESIGN



Since 1995, AXA has sought harmony between a traditional experience and the new emotional concept of the bathroom being centre of a home's ambience. Strengthened by the industrial sector of Civita Castellana, AXA has successfully preserved the values of a family company. A complete expression of original, globally-renowned Italian craftsmanship and a symbol of excellence in design, functionality and quality, AXA has remained focused on searching for new interests and technologies aimed at promoting the protection of the environment and the conservation of energy.



REECE PRODUCT QUALITY GUARANTEE
AXA basins are covered by a 15 year product replacement warranty. For full warranty details visit reece.com.au/warranties

6

THE
DESIGNERS

8

UNO
Basins

12

WILD
Basins

16

CENTO
Basins

19

CENTO
Towel Rails

20

H10
Basins

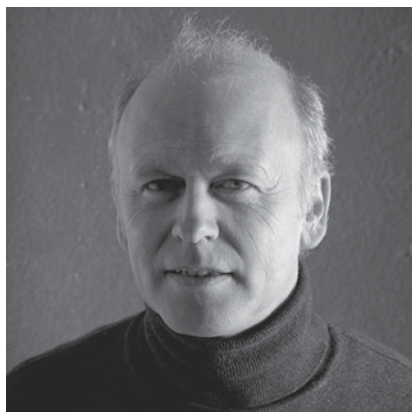
24

SINK , PRISMA
Basins

26

APPENDIX
Technical Drawings

DESIGNERS



ROMANO ADOLINI

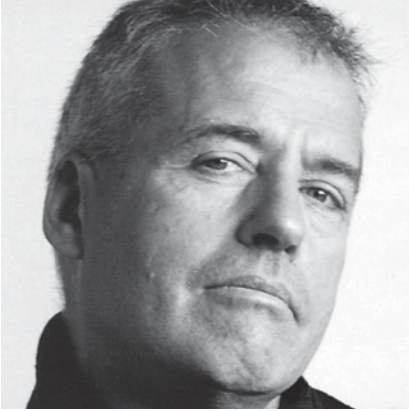
Romano Adolini is a prominent architect and designer known for his research linked to the Viterbo area in Italy. Since 2000, he has focused on the development of projects in the bathroom sector, most recently designing the AXA H10 collection.



ALESSANDRO PAOLELLI

Alessandro Paoelli completed a degree in Industrial Design at the University of Rome and after a period of training, did some further study in planning. In 2005 he began to work as a freelance designer, collaborating with companies of the Colamedici Group and more recently designing for WILD.

DESIGNERS



MARC SADLER

Marc Sadler is an accomplished designer with more than four decades of experience working for leading companies in a variety of sectors from sport to furniture, including electrical and domestic appliances. Awarded four times with the prestigious Compasso d'Oro ADI (Industrial Design Association), his work has won many international design accolades over the years. Adding to an already impressive body of work are his collections for UNO and CENTO.

UNO

UNO, designed by Marc Sadler embodies
simple, organic design at its best.





UNO

basins



UNO COUNTER BASIN

1808597

400mm x 400mm

No taphole | No overflow

UNO

basins



UNO UNDER COUNTER BASIN

9500818
665mm x 395mm



WILD

WILD, designed by Alessandro Paoletti,
is defined by its use of soft lines
and curved edges.



WILD

basins



WILD COUNTER BASIN

9508537

450mm x 450mm

No taphole | No overflow



WILD COUNTER BASIN

9508538

600mm x 400mm

No taphole | No overflow

WILD

toilets



WILD SEMI INSET BASIN

9508539

450mm x 450mm

No taphole | No overflow



WILD SEMI INSET BASIN

9508540

600mm x 400mm

No taphole | No overflow

CENTO

CENTO, designed by Marc Sadler, uses a varying thickness of edges to create intricate design pieces.





CENTO

basins



CENTO WALL BASIN

9505811

600mm x 450mm

1 taphole | Overflow



CENTO MINI WALL BASIN

9505815

450mm x 250mm

Fixing point: 450mm side

Left hand taphole

1 taphole | Overflow



CENTO MINI WALL BASIN

9505816

450mm x 250mm

Fixing point: 250mm side

1 taphole | Overflow



CENTO MINI WALL BASIN

9505814

450mm x 250mm

Fixing point: 450mm side

Right hand taphole

1 taphole | Overflow

CENTO

cento towel rails



CENTO FRONT TOWEL RAIL

9505089


365mm | Compatible with
Cento Mini Wall Basins



CENTO FRONT TOWEL RAIL

9505863

498mm | Compatible with
Cento Wall Basin 600

A photograph of a workshop or studio. In the foreground, a rustic wooden table with a white bowl on it is visible. The background shows a grey floor with various items: a large cardboard roll, a green glass bottle, a white bowl with paint, a metal pitcher, and several small metal containers. A white square frame is superimposed on the floor, containing the text 'H10'.

H10

H10, designed by Romano Adolini, uses rounded edges to construct soft and delicate shapes.



H10

basins



**H10 RECTANGLE
COUNTER BASIN**

9502948

400mm x 320mm

No taphole | No overflow



**H10 RECTANGLE
COUNTER BASIN**

9502949

500mm x 320mm

No taphole | No overflow



**H10 RECTANGLE
COUNTER BASIN**

9502951

600mm x 320mm

No taphole | No overflow

H10

basins



H10 OVAL COUNTER BASIN

9505318

400mm x 320mm

No taphole | No overflow



H10 OVAL COUNTER BASIN

9505319

500mm x 320mm

No taphole | No overflow



H10 OVAL COUNTER BASIN

9505320

600mm x 320mm

No taphole | No overflow



SINK — PRISMA —

SINK, created by Lino Codato and PRISMA
celebrate bold lines and sharp edges to
emphasise depth.

SINK . PRISMA

basins



**SINK
50 UNDERCOUNTER BASIN**

9501479

500mm x 340mm

No taphole | Overflow



**PRISMA
BASIN/TROUGH**

1808615

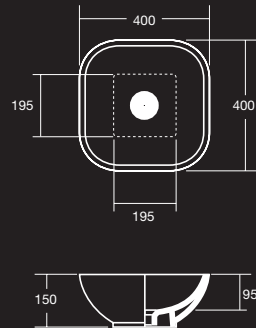
610mm x 460mm

1 taphole | Overflow

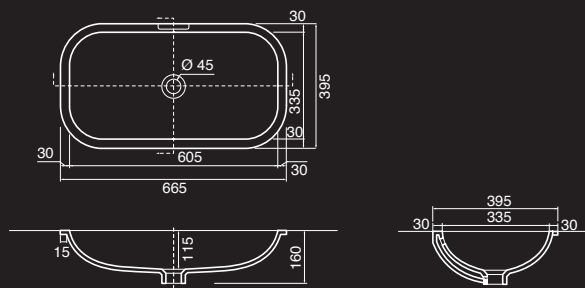
Cabinet not included

Tapware not available in Australia.

UNO

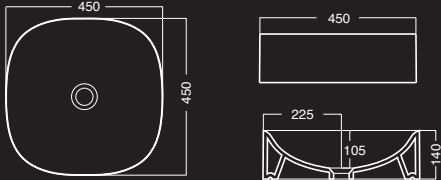


UNO COUNTER BASIN 400

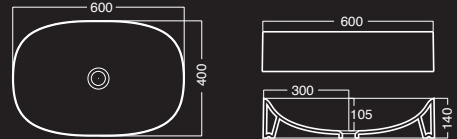


UNO UNDER COUNTER BASIN

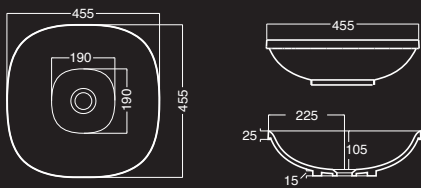
WILD



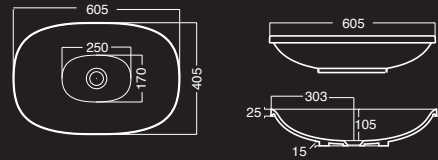
WILD COUNTER BASIN



WILD COUNTER BASIN

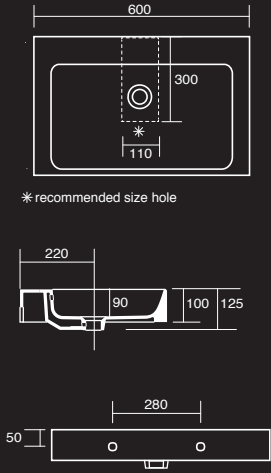


WILD SEMI INSET BASIN



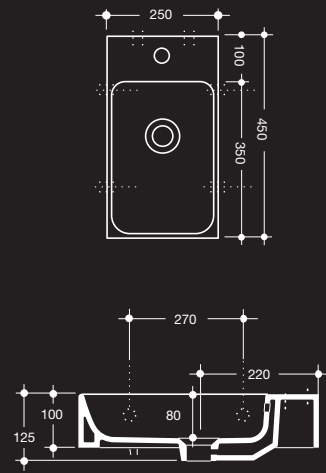
WILD COUNTER BASIN

CENTO

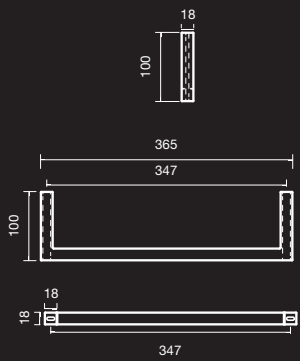


* recommended size hole

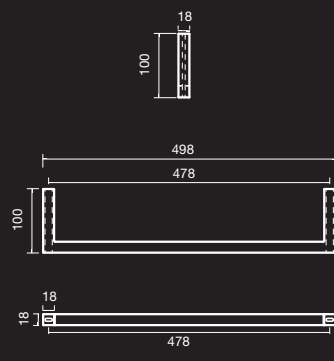
CENTO WALL BASIN 600



CENTO MINI WALL BASINS

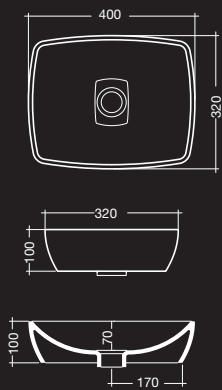


CENTO FRONT TOWEL RAIL 365

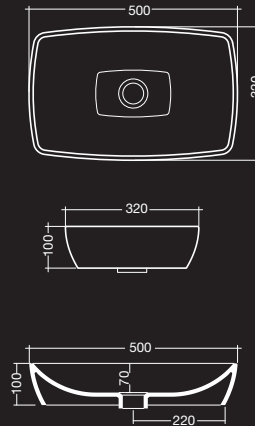


CENTO TOWEL RAIL 498

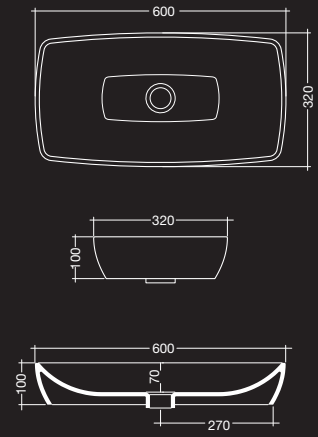
H10



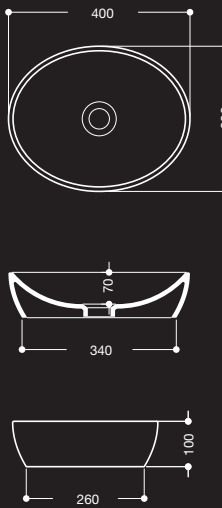
H10 RECTANGLE
COUNTER BASIN 400



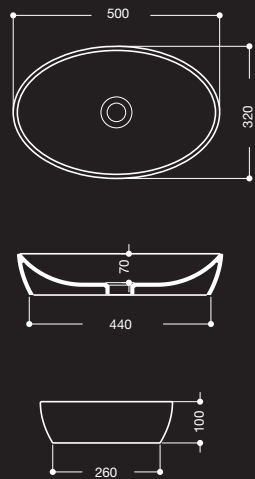
H10 RECTANGLE
COUNTER BASIN 500



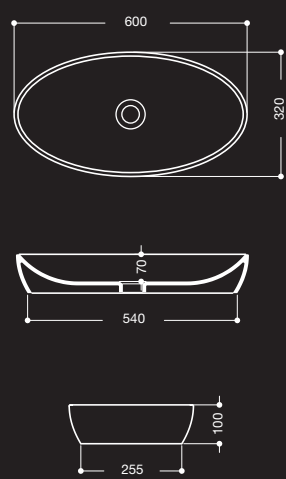
H10 RECTANGLE
COUNTER BASIN 600



H10 OVAL COUNTER BASIN 400



H10 OVAL COUNTER BASIN 500



H10 OVAL COUNTER BASIN 600



Bidet and tapware not available in Australia.

Bathroom Happiness

Visit any one of our 300 showrooms around Australia for all the latest products, concepts and inspiration to make your bathroom whatever you want it to be. And for the ultimate bathroom experience, go to one of our new bathroom life™ stores where you will find the biggest range of leading Australian and international brands. Call **1800 032 566** or visit www.reece.com.au for your nearest bathroom showroom.

Due to limitations in the printing process the colours in this brochure are a guide only. The manufacturer/distributor reserves the right to vary specifications or delete models from their range without prior notification. The manufacturer/distributor takes no responsibility for printing errors. Some tapware pictured may not be available in Australia. Axia toilets and basins are covered by a 15 year replacement product warranty and a 12 month warranty over parts and labour. Shelves are covered by a 7 year warranty. For full warranty details visit www.reece.com.au/warranties
V20 [BROCHURE CODE 9501711]

AXA[®]
passion for ceramic

reece[®]