



**WOLFEN™**

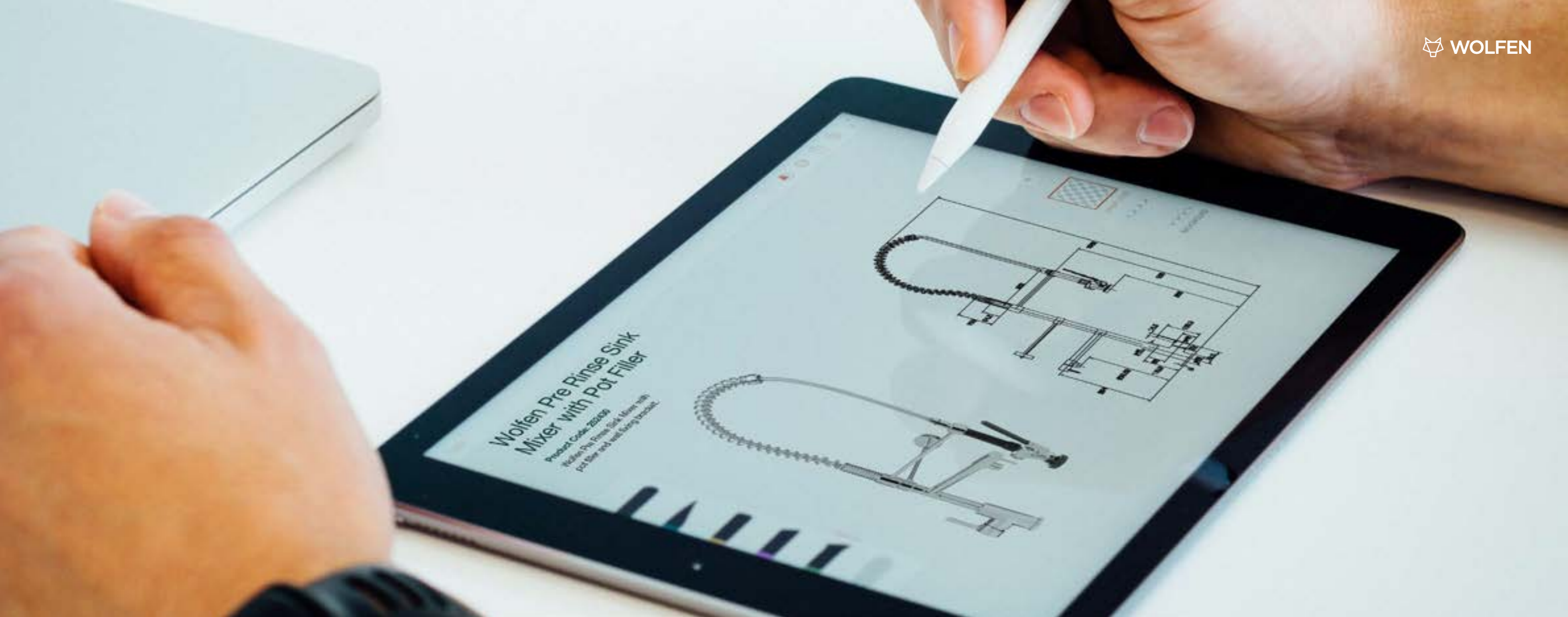
**High Performance  
Commercial Solutions**

Product Guide

<b>Brand Story</b>	<b>4</b>	<b>Toilet Suites</b>	<b>62</b>
<b>Bubblers</b>	<b>6</b>	Close Coupled Back to Wall Ambulant Toilet Suite	64
122° Wall Bubbler	8	Ambulant Back to Wall Toilet Pan	66
90° Wall Bubbler	10	Close Coupled Back to Wall 800 Toilet Suite	68
Hob Bubbler	12	Close Coupled Back to Wall 800 Toilet Suite with Backrest	70
Remote Button Bubbler	14	Back to Wall Inwall 800 Toilet Suite	72
Sensor Drinking Fountain	16	Back to Wall Inwall 800 Toilet Pan with Backrest	74
Sensor Drinking Fountain and Glass Filler	18	<b>Basins</b>	<b>76</b>
<b>Foot and Knee Operated Tapware</b>	<b>20</b>	Wall Mounted Basins	78
Foot Operated Pedal Valve	22	Wall Basin with Right Hand Shelf	80
Knee Operated Valve	24	Wall Basin with Integrated Grab Handle	82
Foot Operated Kit with Outlet	26	Hand Basins	84
Knee Operated Kit with Outlet	28	<b>Wall Mounted Support Arms</b>	<b>86</b>
<b>Food Preparation Tapware</b>	<b>30</b>	Wall Mounted Support Arms	88
Compact Pre Rinse Sink Mixer with Pot Filler	32	<b>Hardware</b>	<b>90</b>
Pre Rinse Sink Mixer with Pot Filler	34	Cleaner's Sink with Grate	92
Trigger Spray Assembly with Stop Tap	36	Folding Shower Seat 600mm	94
Slophopper Assembly with Wall Bracket	38	Folding Shower Seat 960mm	96
<b>Timed Flow Tapware</b>	<b>40</b>	Slimline Hand Dryer	98
Timed Flow Bib Tap 65mm	42	Paper Towel Dispenser	100
Timed Flow Bib Tap 95mm	44	Soap Dispenser	102
Timed Flow Basin Tap	46	Jumbo Toilet Paper Dispenser	104
Timed Flow Mixer Tap	48	Sensor Soap Dispenser	106
<b>Electronic and Sensor Operated Tapware</b>	<b>50</b>	<b>Safety Equipment</b>	<b>108</b>
Sensor Operated Gooseneck Tap with LED Option	52	Freestanding Safety Shower with Eye Wash	110
Sensor Operated Gooseneck with 6V Battery Power	54	Freestanding Safety Shower with Eye Wash and Pedal	112
Electronic Foot Pedal Operated Tap	56	Freestanding Safety Shower	114
Wall Mounted Outlet with Plate and Wave-On Sensor	58	Ceiling Mounted Safety Drench Shower	116
Hob Mounted Sensor Tap with Internal Solenoid	60	Wall Mounted Safety Drench Shower	118
		Free Standing Eye Wash	120
		Free Standing Eye Wash with Foot Pedal	122
		Wall Mounted Eye Wash	124
		<b>Reece Product Quality Guarantee</b>	<b>126</b>

Engineered for the most demanding commercial applications, Wolfen products are made to perform - all day, everyday. Our innovative range is designed around the needs of users operating in specific environments, including Hospitals & Health Care, Education, Hospitality, Public Spaces and Sports & Leisure venues.

Our meticulous manufacturing approach ensures that all our solutions work as good as they look. Combining strength, precision and reliability, Wolfen delivers total peace of mind. That's the Wolfen difference.



When we set out to create a Wolfen product, it starts with a commitment to finding the most durable and functional materials available. We then combine these with leading technologies from all over the world. Every element is seamlessly integrated to perform in the environment it will operate in. Wolfen understands the unique challenges of each industry segment and we create solutions with an absolute commitment to quality and long-life performance.



**Designed to perform, built to last.**

Wolfen products have been designed to perform at the very highest of standards through innovative and robust functionality. Combining attention to detail with superior materials, Wolfen has engineered a range of products that are reliable, functional and intelligent.



**The best in our industry, for your industry**

Wolfen offers innovative solutions for a wide array of commercial and industrial applications spanning health care, disability, councils, aged care, public recreation, sporting facilities and education institutions as well as commercial food premises and hospitality. These industries require the reliability, durability and simplicity that is inherent in all Wolfen products.

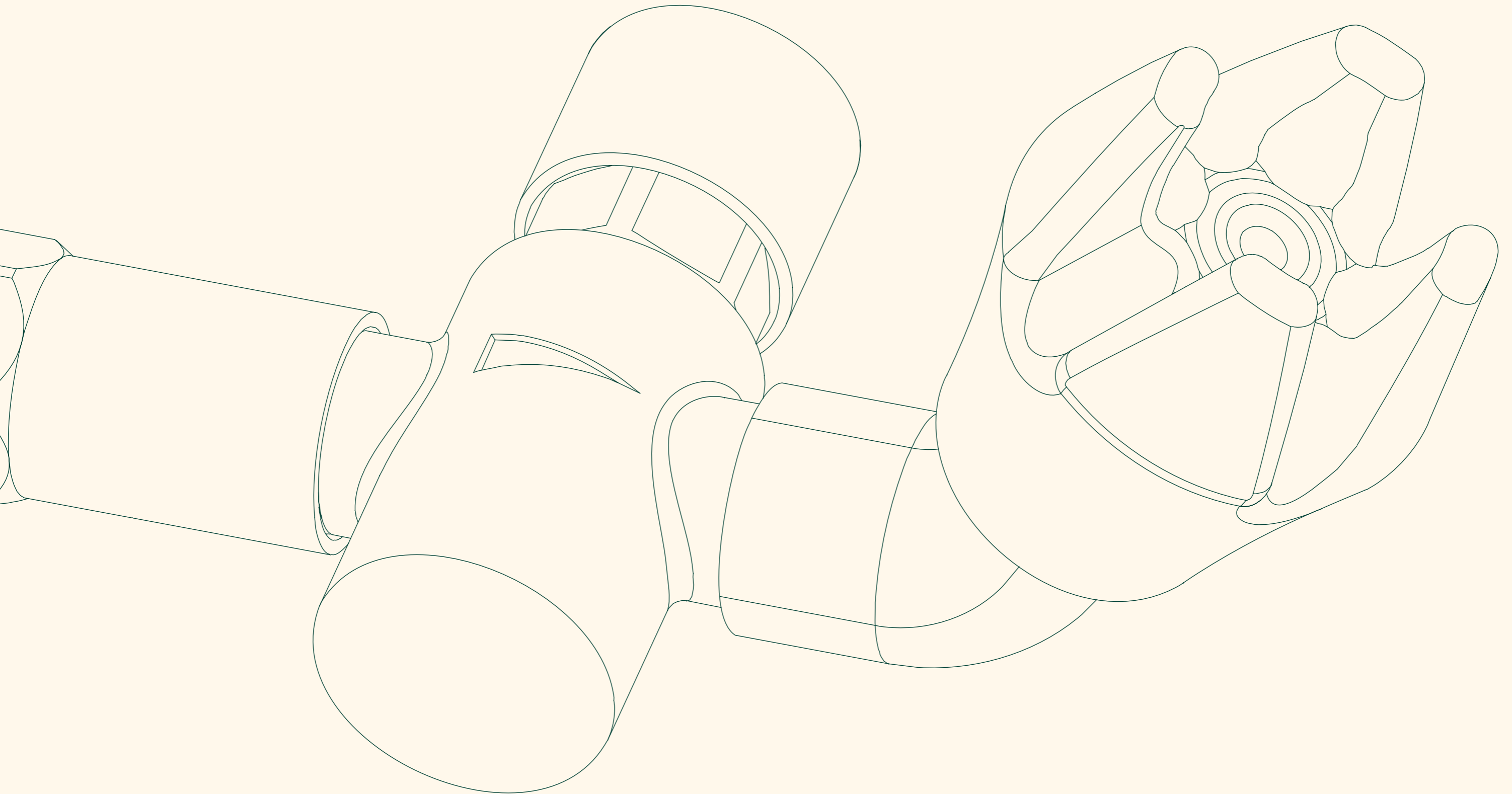


**Confidently backed, readily supplied**

Wolfen offers an industry leading 5-year warranty throughout the entire range, giving you confidence that our products are truly built to last. Backed by the Reece network, Wolfen products are available from any branch as either a stock item or ordered in from a national network of distribution centres.

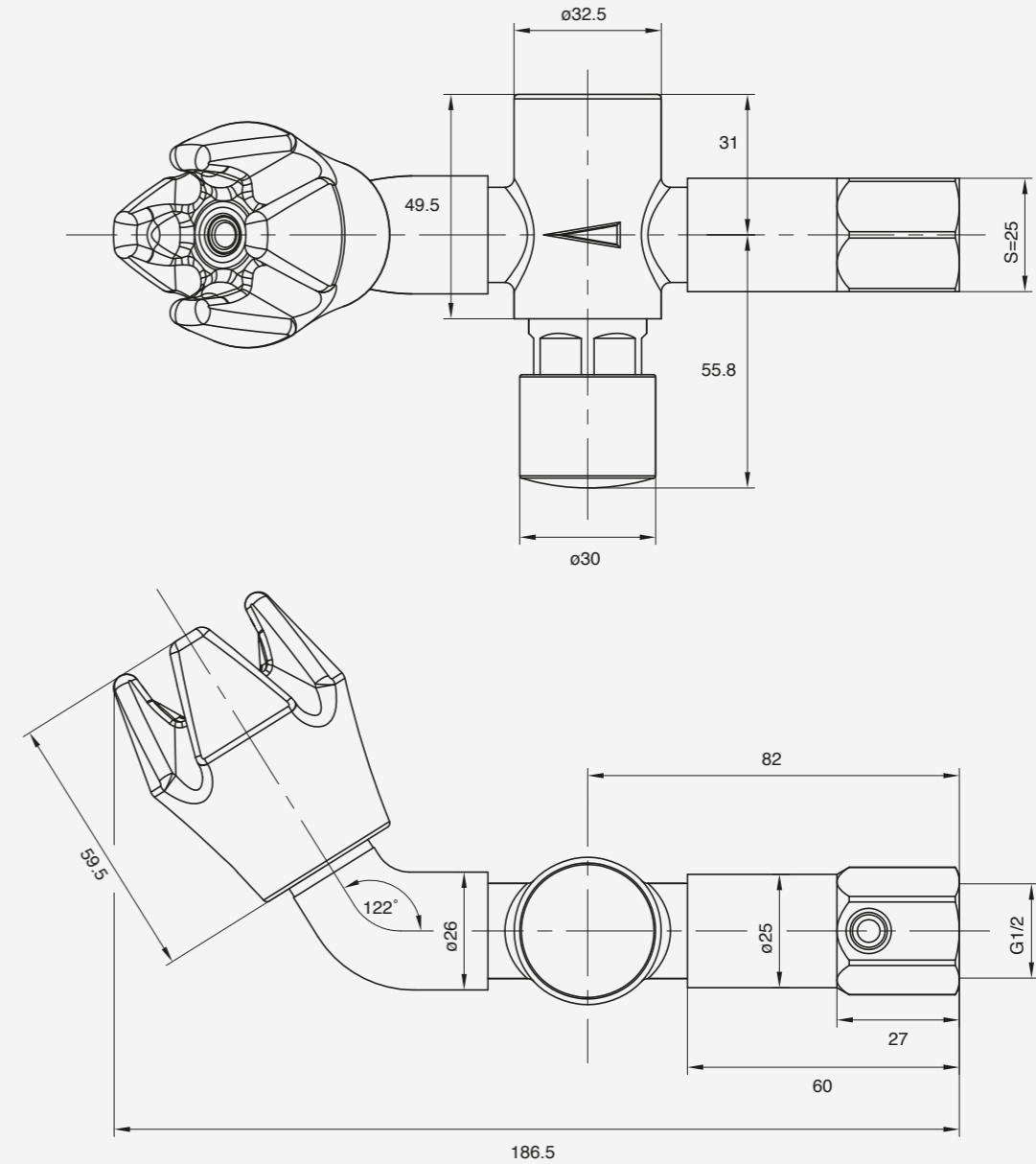
# Bubblers

Designed around the principles of durability, reliability and functionality, Wolfen bubblers provide drinking water solutions that perform all day, every day.



# 122° Wall Bubbler

**Product Code: 252418**  
 122° Wall Bubbler with Recessed Spray  
 Nozzle and Soft Spring Button



## Commercial Applications



Education



Public Places



Sports and Leisure

## Features and Benefits

### Infection control features

Recessed spray nozzle avoids contact with user

### Commercial durability

UV treated rubber guard

### Installation and servicing

Simple allen key run time adjustment

0-55 second adjustable

Supplied with inlet strainer

Factory pre-set to 4-6 seconds

### Usage features

Soft spring for easy use

Protective rubber guard for safety

## Technical Information

<b>Colour</b>	Chrome / Rubber Guard
<b>Finish</b>	Polished
<b>Material</b>	Brass
<b>Cartridge Type</b>	Press Timed Flow Cartridge
<b>Min Continuous Working Pressure</b>	150 kPa
<b>Max Continuous Working Pressure</b>	500 kPa
<b>Min Continuous Working Temperature</b>	5 °C
<b>Max Continuous Working Temperature</b>	50 °C
<b>Max Static Pressure</b>	500 kPa
<b>Product Warranty</b>	5 Years

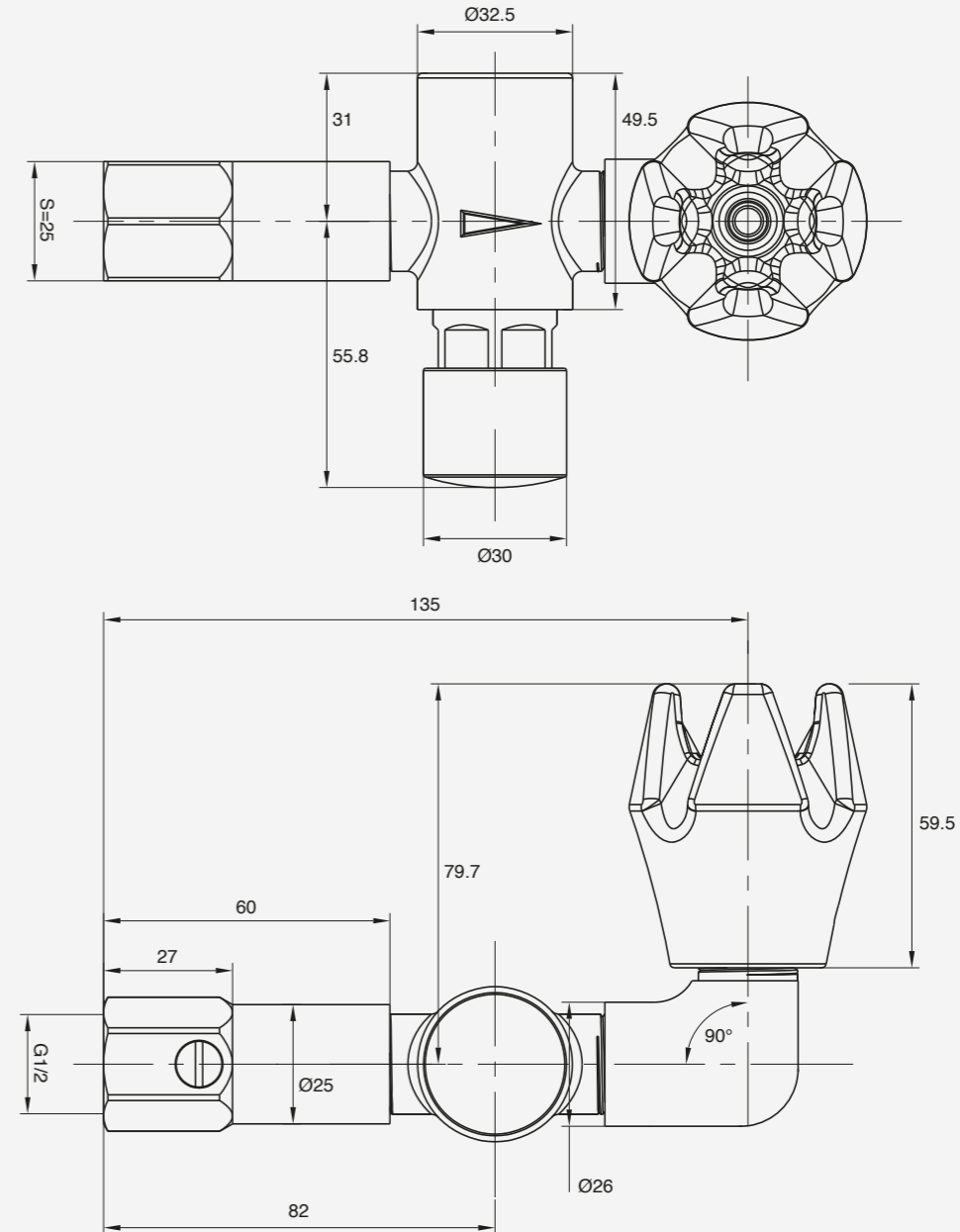


Suitable for high pressure applications (minimum 150 kPa)



# 90° Wall Bubbler

**Product Code: 252465**  
 90° Wall Bubbler with Recessed Spray  
 Nozzle and Soft Spring Button



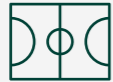
## Commercial Applications



Education



Public Places



Sports and Leisure

## Features and Benefits

### Infection control features

Recessed spray nozzle avoids contact with user

### Commercial durability

UV treated rubber guard

### Installation and servicing

Simple allen key run time adjustment

0-55 second adjustable

Supplied with inlet strainer

Factory pre-set to 4-6 seconds

### Usage features

Soft spring for easy use

Protective rubber guard for safety

## Technical Information

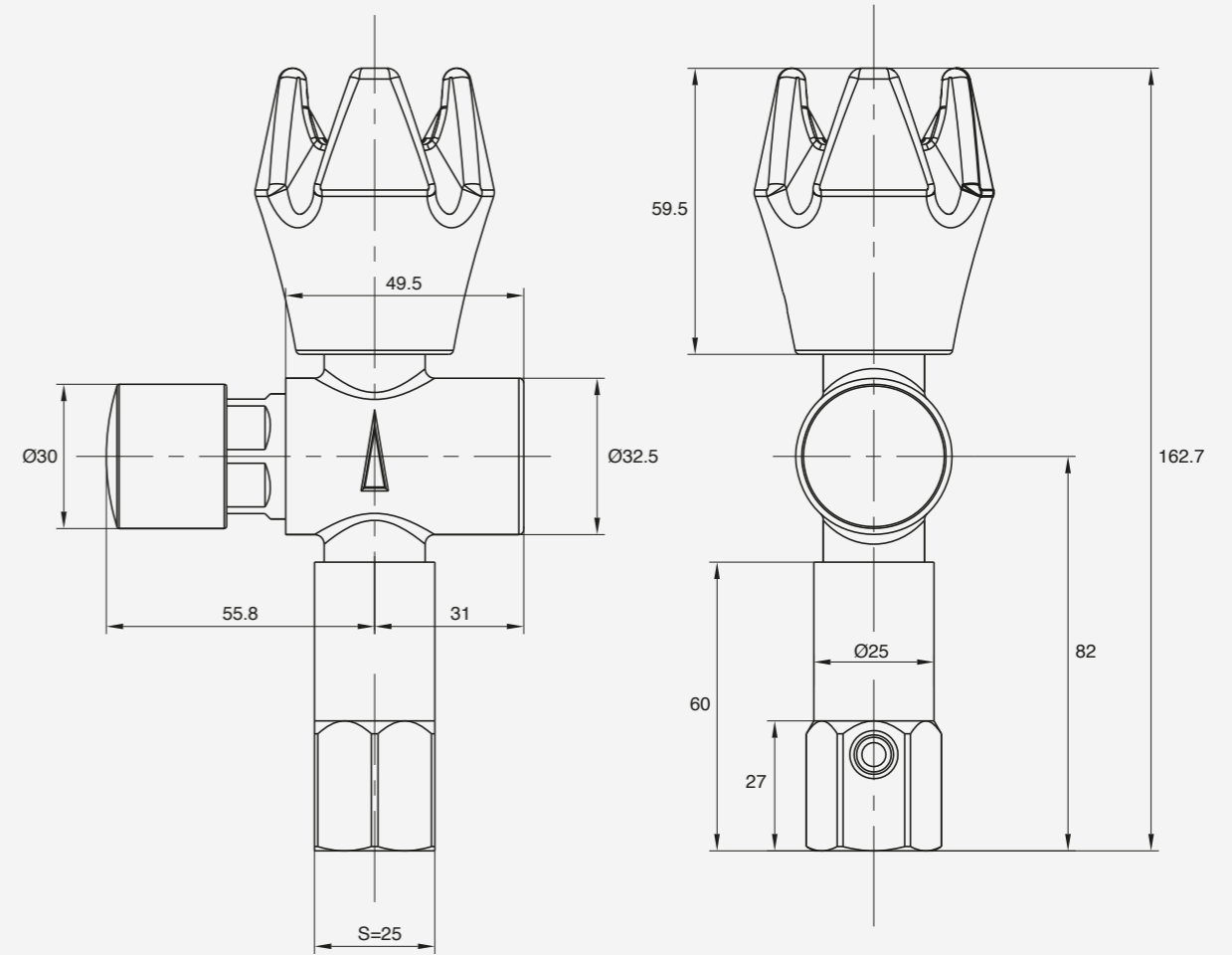
<b>Colour</b>	Chrome / Rubber Guard
<b>Finish</b>	Polished
<b>Material</b>	Brass
<b>Cartridge Type</b>	Press Timed Flow Cartridge
<b>Min Continuous Working Pressure</b>	150 kPa
<b>Max Continuous Working Pressure</b>	500 kPa
<b>Min Continuous Working Temperature</b>	5 °C
<b>Max Continuous Working Temperature</b>	50 °C
<b>Max Static Pressure</b>	500 kPa
<b>Product Warranty</b>	5 Years



Suitable for high pressure applications (minimum 150 kPa)

# Hob Bubbler

**Product Code: 252419**  
 Hob Mounted Bubbler with Recessed  
 Spray Nozzle and Soft Spring Button



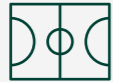
## Commercial Applications



Education



Public Places



Sports and Leisure

## Features and Benefits

### Infection control features

Recessed spray nozzle avoids contact with user

### Commercial durability

UV treated rubber guard

### Installation and servicing

Simple allen key run time adjustment

0-55 second adjustable

Supplied with inlet strainer

Factory pre-set to 4-6 seconds

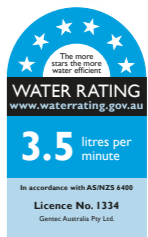
### Usage features

Soft spring for easy use

Protective rubber guard for safety

## Technical Information

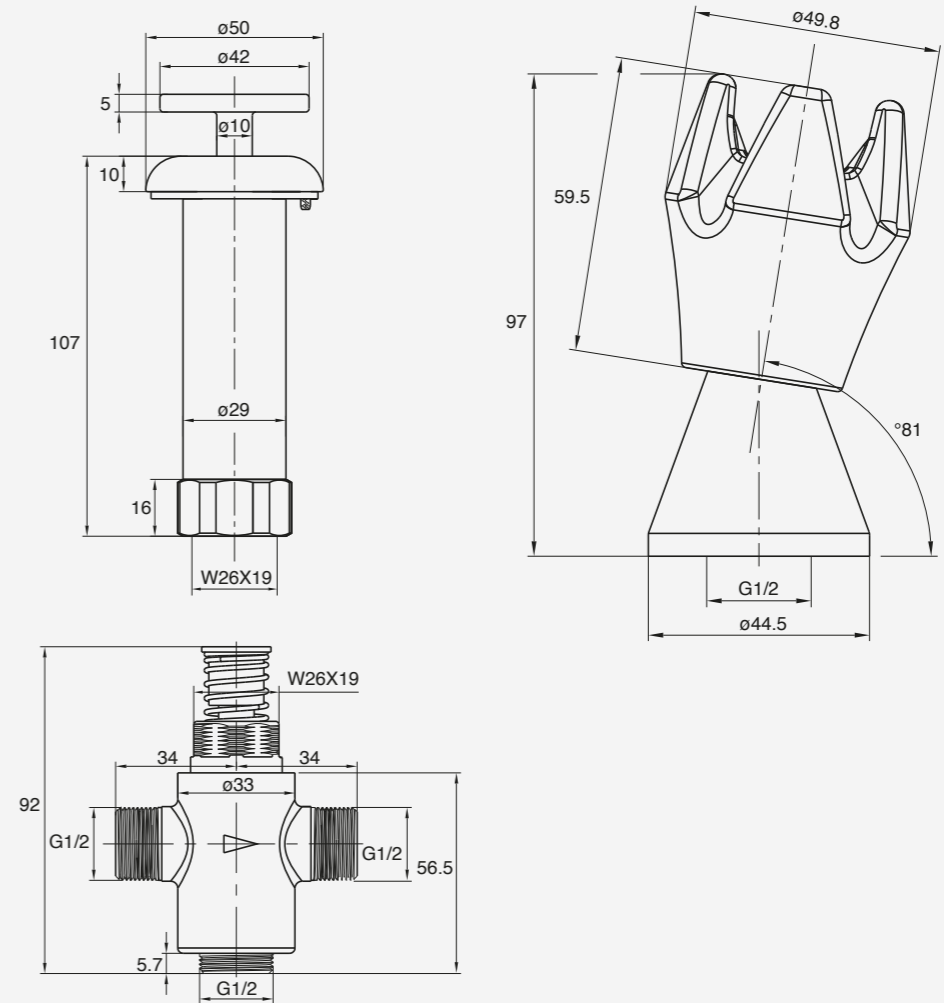
<b>Colour</b>	Chrome / Rubber Guard
<b>Finish</b>	Polished
<b>Material</b>	Brass
<b>Cartridge Type</b>	Press Timed Flow Cartridge
<b>Min Continuous Working Pressure</b>	150 kPa
<b>Max Continuous Working Pressure</b>	500 kPa
<b>Min Continuous Working Temperature</b>	5 °C
<b>Max Continuous Working Temperature</b>	50 °C
<b>Max Static Pressure</b>	500 kPa
<b>Product Warranty</b>	5 Years



Suitable for high pressure applications (minimum 150 kPa)

# Remote Button Bubbler

**Product Code: 252420**  
Remote Bubbler with Recessed Spray  
Nozzle and Soft Spring Button



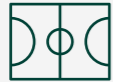
## Commercial Applications



Education



Public Places



Sports and Leisure

## Features and Benefits

### Infection control features

Recessed spray nozzle avoids contact with user

### Commercial durability

UV treated rubber guard

### Installation and servicing

Simple allen key run time adjustment

0-55 second adjustable

Supplied with inlet strainer

Factory pre-set to 4-6 seconds

### Usage features

Soft spring for easy use

Protective rubber guard for safety

## Technical Information

<b>Colour</b>	Chrome / Rubber Guard
<b>Finish</b>	Polished
<b>Material</b>	Brass
<b>Cartridge Type</b>	Press Timed Flow Cartridge
<b>Min Continuous Working Pressure</b>	150 kPa
<b>Max Continuous Working Pressure</b>	500 kPa
<b>Min Continuous Working Temperature</b>	5 °C
<b>Max Continuous Working Temperature</b>	50 °C
<b>Max Static Pressure</b>	500 kPa
<b>Product Warranty</b>	5 Years

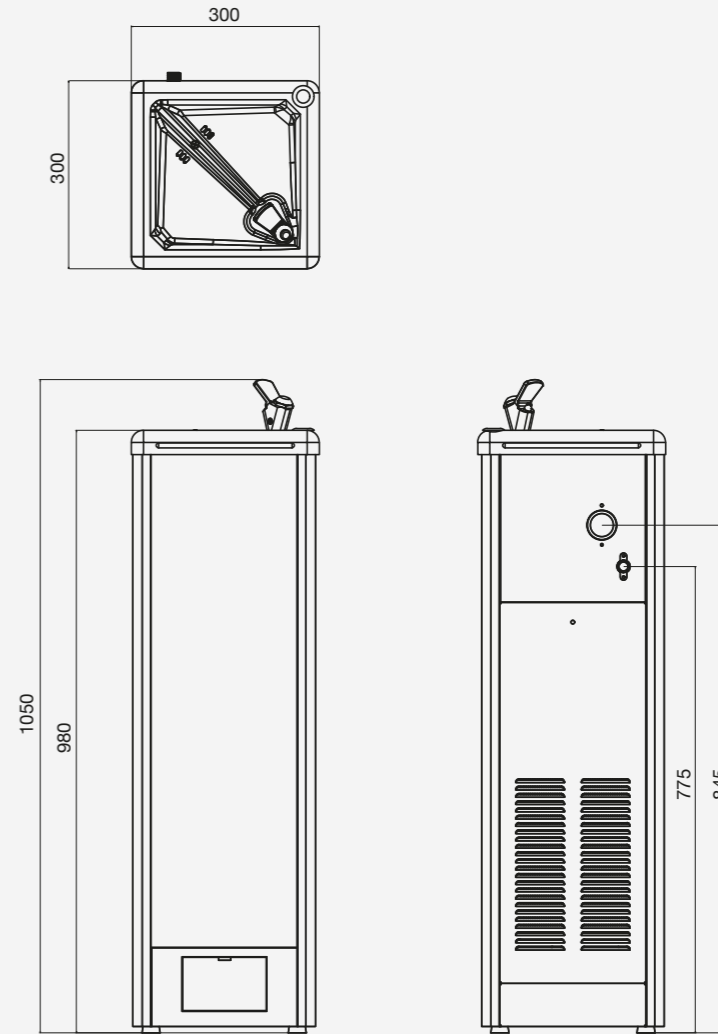


Suitable for high pressure applications (minimum 150 kPa)



# Sensor Drinking Fountain

Product Code: 1308142  
Sensor Drinking Fountain 10lph



## Commercial Applications



Education



Hospital and Health Care



Public Places



Sport and Leisure Facilities

## Features and Benefits

### Infection control features

Foot sensor activated bubbler

### Commercial durability

Industrial grade stainless steel construction

10 litres per hour of chilled water

5L insulated cold tank

Front panel removes easily for filter changes

### Installation features

IP33 rated for outdoor use

R134a refrigerant for high ambient conditions

Drinking bubbler with adjustable flow

Optional filter cartridge to enhance drinking water quality (1308144)

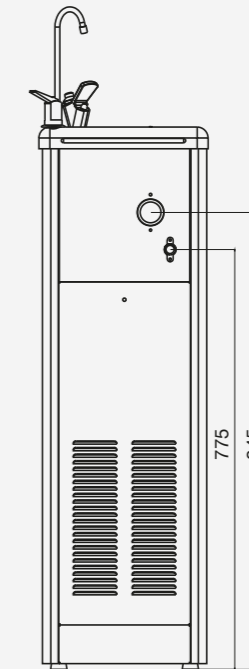
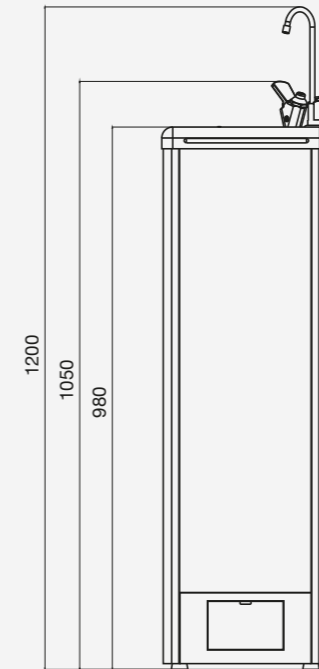
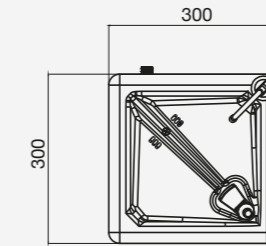
## Technical Information

<b>Material</b>	304 stainless steel
<b>Product warranty</b>	5 years
<b>Power Supply</b>	240V



# Sensor Drinking Fountain and Glass Filler

**Product Code: 1308143**  
Sensor Drinking Fountain & Glass Filler 19lph



## Commercial Applications



Education



Hospital and Health Care



Public Places



Sport and Leisure Facilities

## Features and Benefits

### Infection control features

Foot sensor activated bubbler

### Commercial durability

Industrial grade stainless steel construction

19 litres per hour of chilled water

5L insulated cold tank

Front panel removes easily for filter changes

### Installation features

IP33 rated for outdoor use

R134a refrigerant for high ambient conditions

Drinking bubbler with adjustable flow

Optional filter cartridge to enhance drinking water quality (1308144)

## Technical Information

**Material** 304 stainless steel

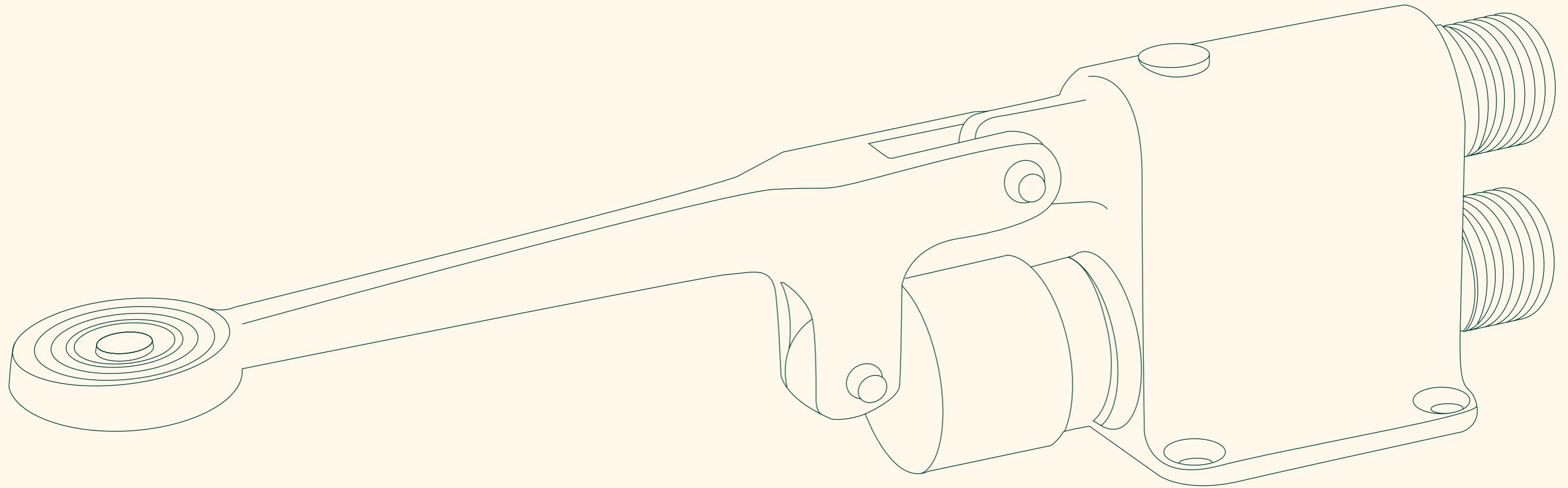
**Product warranty** 5 years

**Power Supply** 240V



# Foot And Knee Operated Tapware

Designed for absolute performance, Wolfen's commercial valved tapware products set new standards in quality and durability. Ergonomic design combined with precision engineering ensures that every Wolfen product is easy-to-use and made to last.

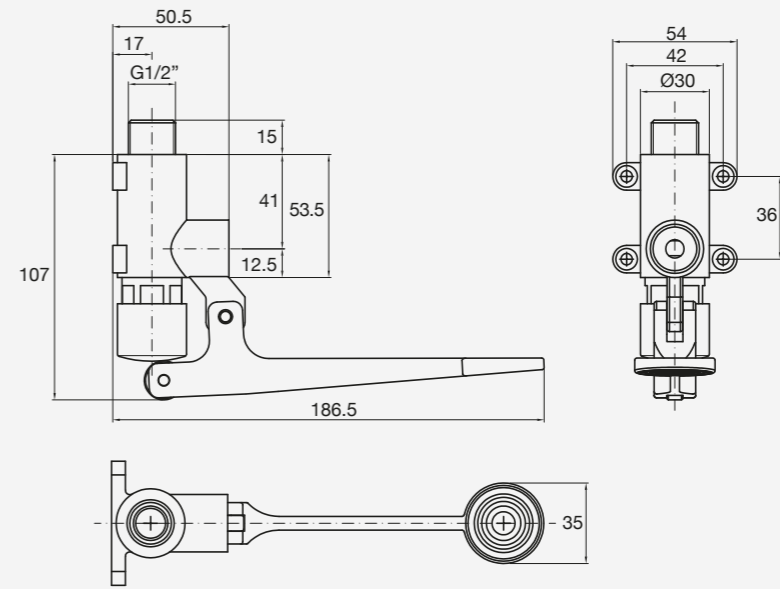


# Foot Operated Pedal Valve

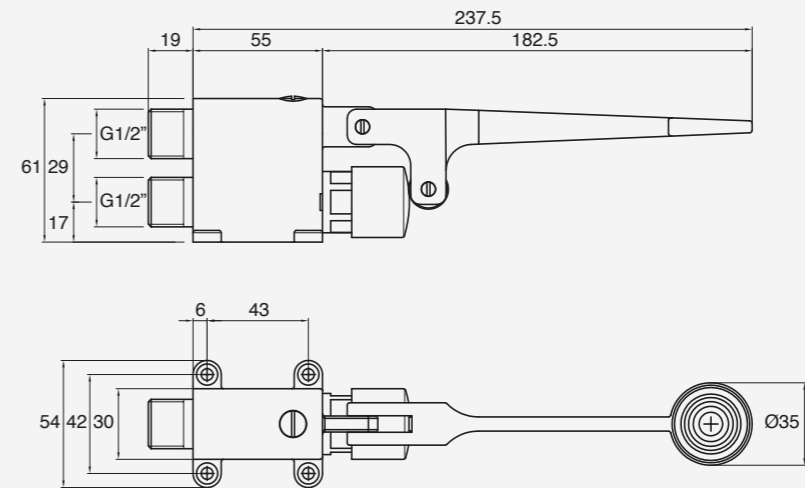
**Product Code: 252460**  
Timed Foot Pedal Valve for  
Operating Tapware



Wall Mounted



Floor Mounted



## Commercial Applications



Commercial Kitchen

## Features and Benefits

### Infection control features

15 second timed flow run time complies  
with food preparation regulations

### Installation and servicing

Wall or floor mount suitable  
Preset to 15 seconds

### Usage features

Soft spring for easy use  
0-55 second adjustable run time  
Foot pedal can be lifted up for ease of cleaning

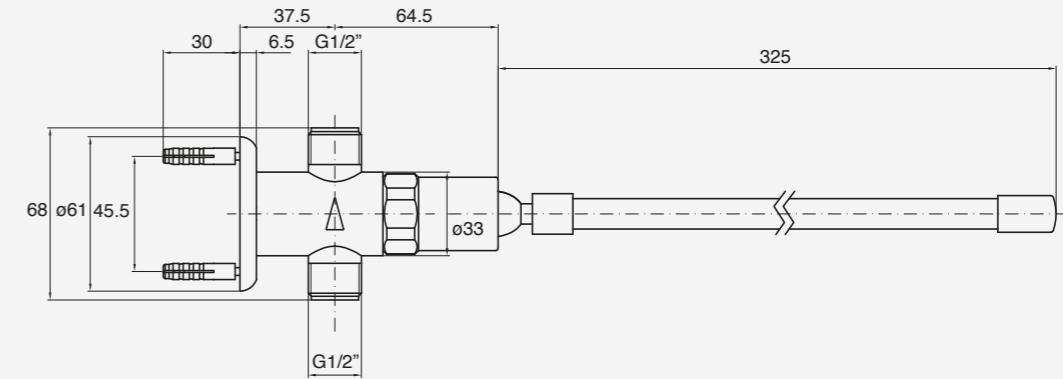
## Technical Information

<b>Colour</b>	Chrome
<b>Finish</b>	Polished
<b>Material</b>	Brass
<b>Cartridge Type</b>	Timed Flow
<b>Min Continuous Working Pressure</b>	150 kPa
<b>Max Continuous Working Pressure</b>	500 kPa
<b>Min Continuous Working Temperature</b>	5 °C
<b>Max Continuous Working Temperature</b>	50 °C
<b>Max Static Pressure</b>	500 kPa
<b>Height</b>	140 mm
<b>Clearance</b>	60.8 mm
<b>Reach</b>	114 mm
<b>Product Warranty</b>	5 Years



# Knee Operated Valve

**Product Code: 252958**  
Soft Spring Timed Knee Valve  
for Operating Tapware



## Commercial Applications



Commercial Kitchen

## Features and Benefits

### Infection control features

15 second timed flow run time complies with food preparation regulations

### Installation and servicing

Run time adjustment available

### Usage features

Soft spring for easy use

0-55 second adjustable run time available with spare part

Flexible nylon wand for easy use

## Technical Information

<b>Colour</b>	Chrome
<b>Finish</b>	Polished
<b>Material</b>	Brass
<b>Cartridge Type</b>	Timed Flow
<b>Min Continuous Working Pressure</b>	150 kPa
<b>Max Continuous Working Pressure</b>	500 kPa
<b>Min Continuous Working Temperature</b>	5 °C
<b>Max Continuous Working Temperature</b>	50 °C
<b>Max Static Pressure</b>	500 kPa
<b>Product Warranty</b>	5 Years



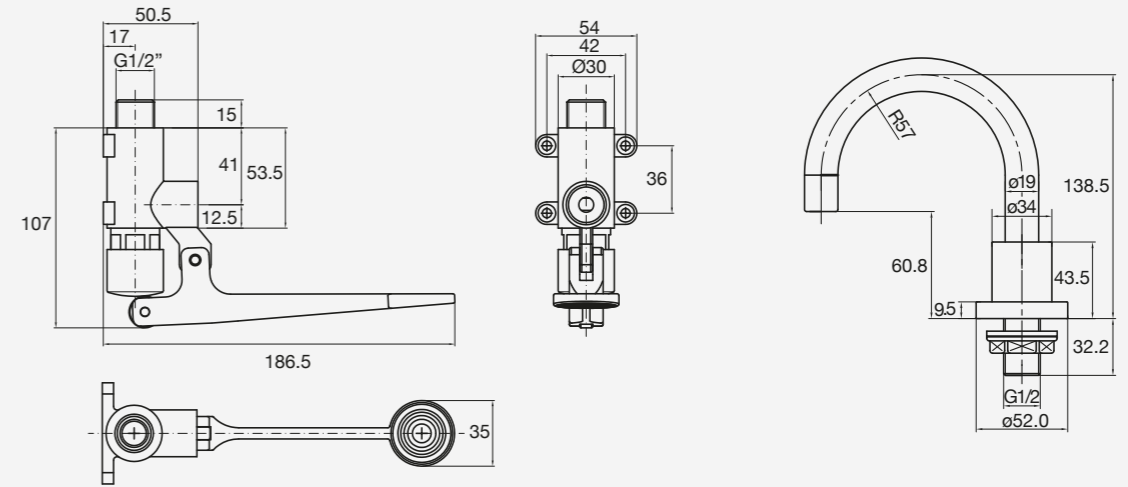


# Foot Operated Kit with Outlet

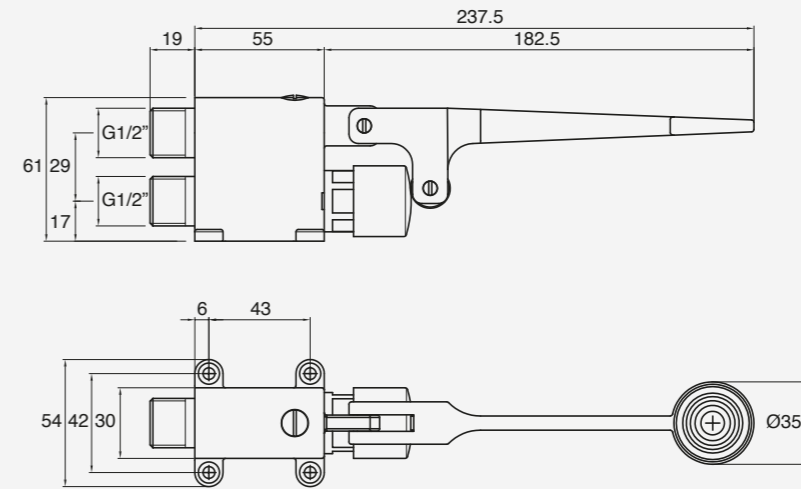
**Product Code: 252957**  
Foot Operating Tap Including  
Foot Pedal Valve and Tap Outlet



Wall Mounted



Floor Mounted



## Commercial Applications



Commercial Kitchen

## Features and Benefits

### Infection control features

15 second timed flow run time complies with food preparation regulations

### Commercial durability

Strong design with minimal moving parts

### Installation and servicing

Wall or floor mount suitable

Preset to 15 seconds

Simple allen key run time adjustment

### Usage features

Soft spring for easy use

0-55 second adjustable run time

Foot pedal can be lifted up for ease of cleaning

## Technical Information

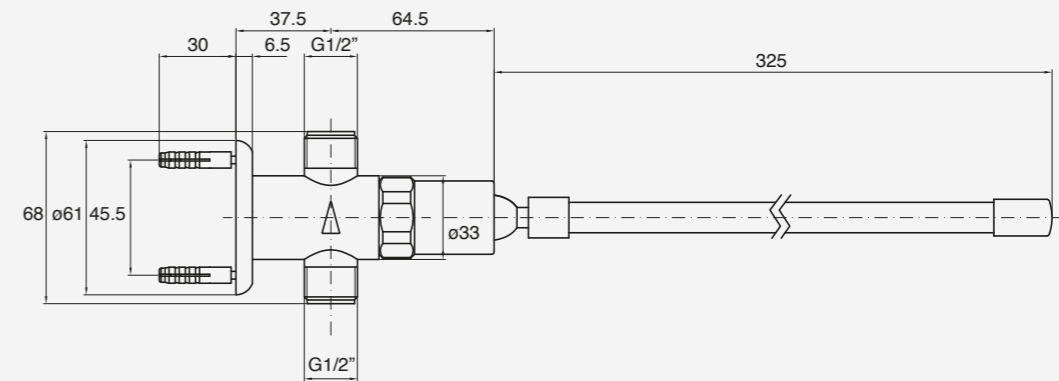
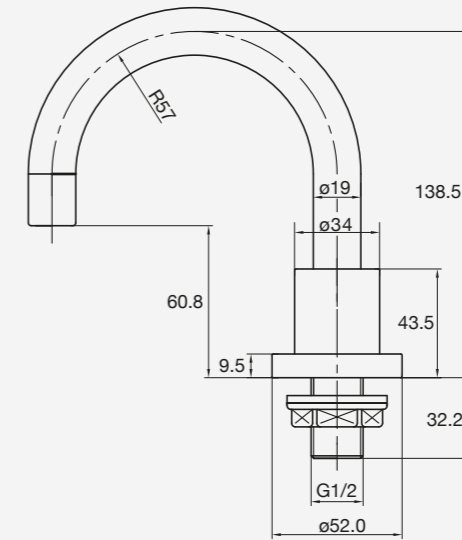
<b>Colour</b>	Chrome
<b>Finish</b>	Polished
<b>Material</b>	Brass
<b>Cartridge Type</b>	Timed Flow
<b>Min Continuous Working Pressure</b>	150 kPa
<b>Max Continuous Working Pressure</b>	500 kPa
<b>Min Continuous Working Temperature</b>	5 °C
<b>Max Continuous Working Temperature</b>	50 °C
<b>Max Static Pressure</b>	500 kPa
<b>Height</b>	140 mm
<b>Clearance</b>	60.8 mm
<b>Reach</b>	114 mm
<b>Product Warranty</b>	5 Years



Suitable for high pressure applications (minimum 150 kPa)

# Knee Operated Kit with Outlet

**Product Code: 252959**  
Knee Operated Tap Including  
Knee Valve and Tap Outlet



## Commercial Applications



Commercial Kitchen

## Features and Benefits

### Infection control features

15 second timed flow run time complies with food preparation regulations

### Installation and servicing

Run time adjustment available

### Usage features

Soft spring for easy use

0-55 second adjustable run time

Flexible nylon wand for easy use

## Technical Information

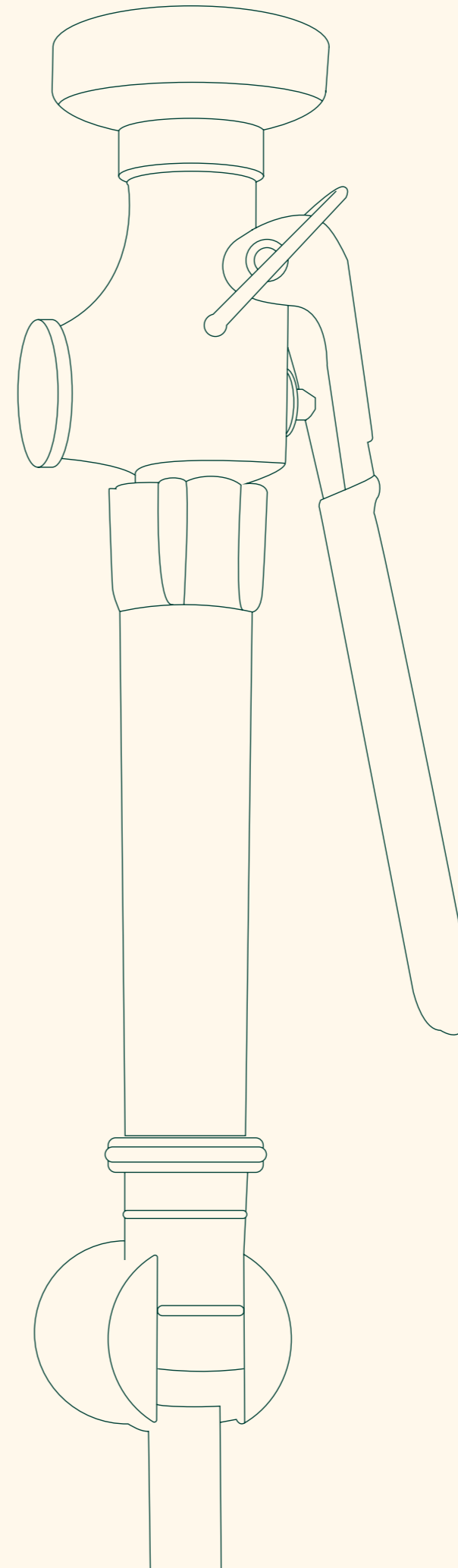
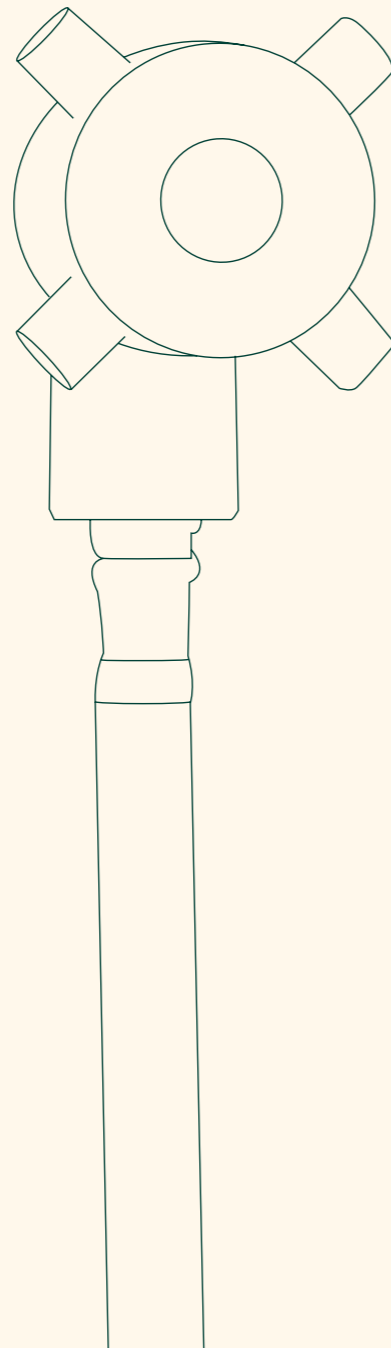
<b>Colour</b>	Chrome
<b>Finish</b>	Polished
<b>Material</b>	Brass
<b>Cartridge Type</b>	Timed Flow
<b>Min Continuous Working Pressure</b>	150 kPa
<b>Max Continuous Working Pressure</b>	500 kPa
<b>Min Continuous Working Temperature</b>	5 °C
<b>Max Continuous Working Temperature</b>	50 °C
<b>Max Static Pressure</b>	500 kPa
<b>Height</b>	140 mm
<b>Clearance</b>	60.8 mm
<b>Reach</b>	114 mm
<b>Product Warranty</b>	5 Years



Suitable for high pressure applications (minimum 150 kPa)

# Food Preparation Tapware

Wolfen food preparation tapware has been designed to withstand the toughest of hospitality environments. Our tapware uses minimal moving parts to prevent bacteria build-up while stainless steel construction creates safe, long lasting solutions.

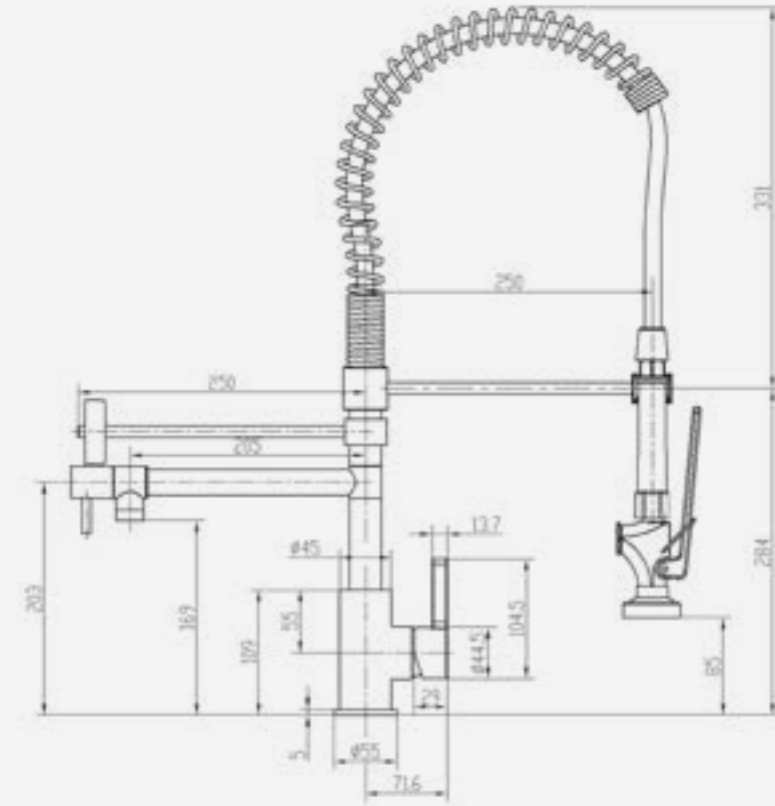


# Compact Pre Rinse Sink Mixer with Pot Filler

**Product Code: 252452**  
Compact Pre Rinse Sink Mixer with Pot Filler and Wall Fixing Bracket



Trigger Spray: 252431



## Commercial Applications



Commercial Kitchen

## Features and Benefits

### Infection control features

- Clean line food grade hose
- Minimum crevices for bacteria build up

### Commercial durability

- Stainless steel spray nozzle
- Stainless steel braided hose with external lining and PEX inner lining
- Wall fixing bracket for ongoing stability

### Installation and servicing

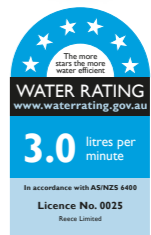
- Cut-down wall bracket with height and projection adjustment
- Built-in non return valve

### Usage features

- Trigger spray clip enables effortless continual use
- Easy operation front control pot filler
- Tensioned polished spring for manoeuvrability
- Water efficient spray nozzle
- Trigger handle piece has a built in protective thermal barrier

## Technical Information

<b>Colour</b>	Chrome
<b>Finish</b>	Polished
<b>Material</b>	Brass
<b>Cartridge Type</b>	Timed Flow
<b>Min Continuous Working Pressure</b>	150 kPa
<b>Max Continuous Working Pressure</b>	450 kPa
<b>Max Static Pressure</b>	500 kPa
<b>Min Continuous Working Temperature</b>	5 °C
<b>Max Continuous Working Temperature</b>	80 °C
<b>Product Warranty</b>	5 Years



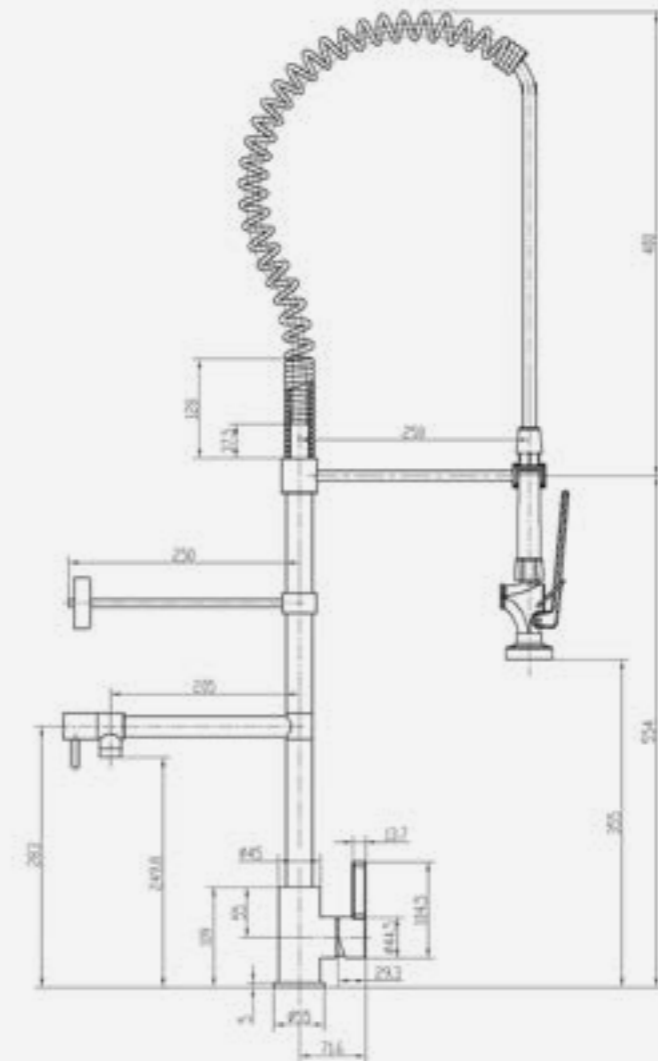
Suitable for high pressure applications (minimum 150 kPa)

# Pre Rinse Sink Mixer with Pot Filler with Pot Filler

**Product Code: 252430**  
Pre Rinse Sink Mixer with Pot Filler and Wall Fixing Bracket



Trigger Spray: 252431



## Commercial Applications



Commercial Kitchen

## Features and Benefits

### Infection control features

- Clean line food grade hose
- Minimum crevices for bacteria build up

### Commercial durability

- Stainless steel spray nozzle
- Stainless steel braided hose with external lining and PEX inner lining
- Wall fixing bracket for ongoing stability

### Installation and servicing

- Cut-down wall bracket with height and projection adjustment
- Built-in non return valve

### Usage features

- Trigger spray clip enables effortless continual use
- Easy operation front control pot filler
- Tensioned polished spring for manoeuvrability
- Water efficient spray nozzle
- Trigger handle piece has a built in protective thermal barrier

## Technical Information

<b>Colour</b>	Chrome
<b>Finish</b>	Polished
<b>Material</b>	Brass
<b>Cartridge Type</b>	Ceramic Disc Cartridge
<b>Min Continuous Working Pressure</b>	150 kPa
<b>Max Continuous Working Pressure</b>	500 kPa
<b>Min Continuous Working Temperature</b>	5 °C
<b>Max Continuous Working Temperature</b>	80 °C
<b>Max Static Pressure</b>	500 kPa
<b>Product Warranty</b>	5 Years



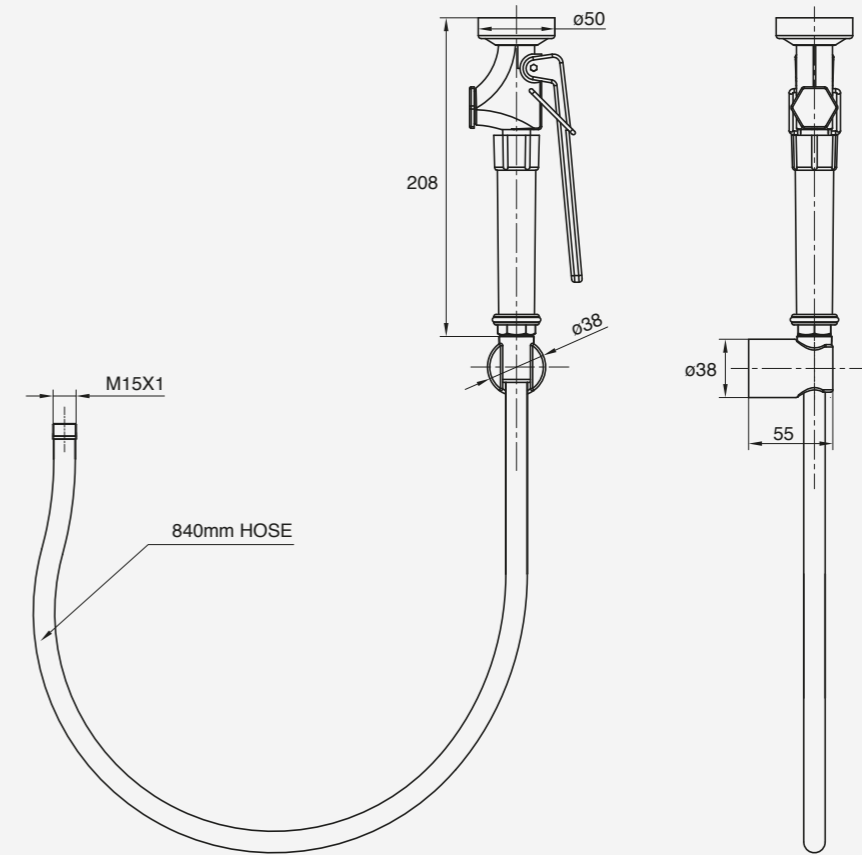
Suitable for high pressure applications (minimum 150 kPa)





# Slophopper Assembly with Wall Bracket

**Product Code: 252444**  
Slophopper Assembly with Wall Bracket



## Commercial Applications



Aged Care



Commercial Kitchens



Hospital and Health Care

Trigger Spray: 252431

## Features and Benefits

### Infection control features

- Clean line food grade hose
- Minimum crevices for bacteria build up

### Commercial durability

- Stainless steel spray nozzle
- Stainless steel braided hose with external lining and PEX inner lining

### Usage features

- Trigger spray clip enables effortless continual use
- Water efficient spray nozzle
- Trigger handle piece has a built in protective thermal barrier

## Technical Information

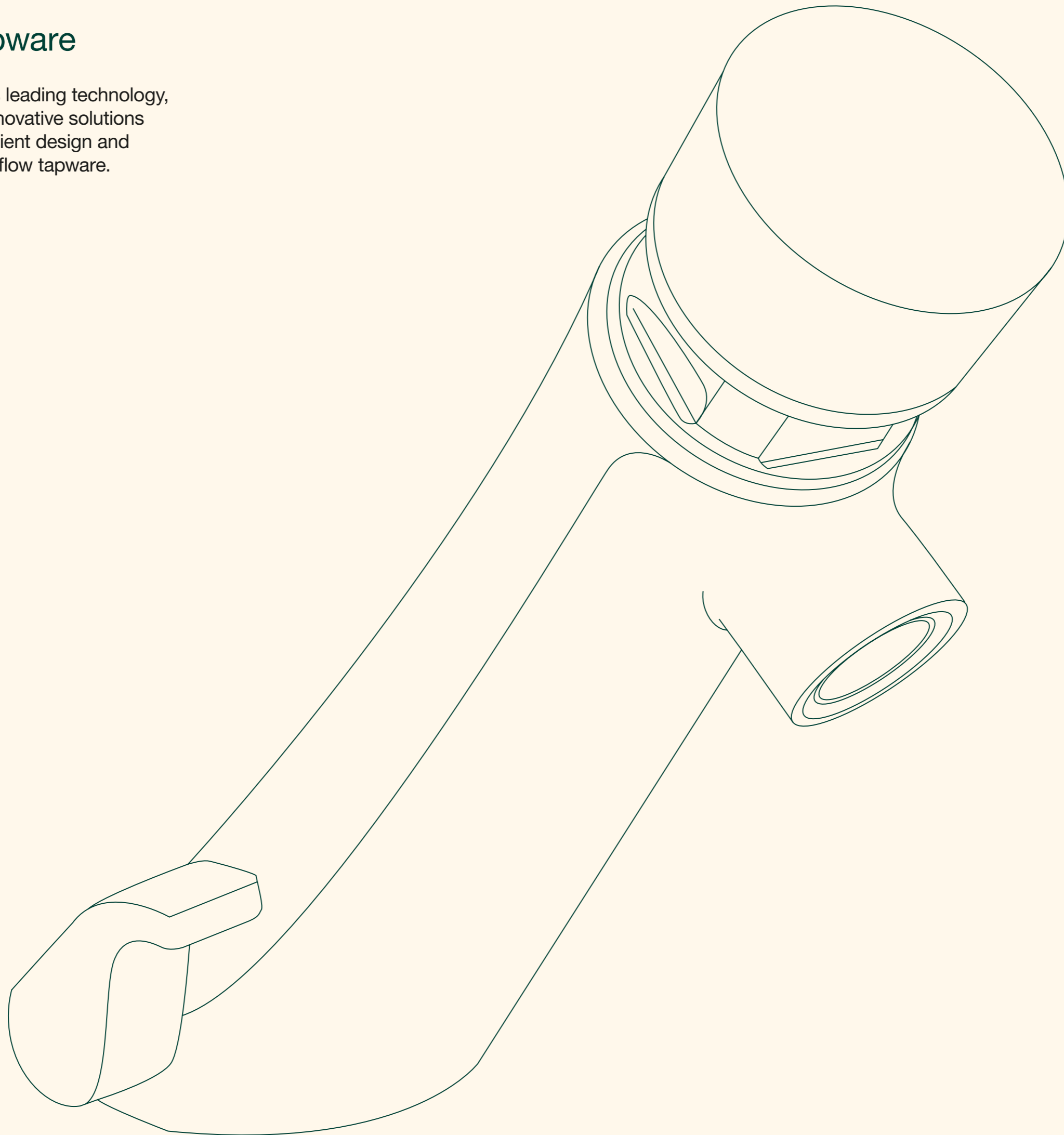
<b>Colour</b>	Chrome
<b>Finish</b>	Polished
<b>Material</b>	Brass
<b>Cartridge Type</b>	Ceramic Disc Cartridge
<b>Min Continuous Working Pressure</b>	150 kPa
<b>Max Continuous Working Pressure</b>	500 kPa
<b>Min Continuous Working Temperature</b>	5 °C
<b>Max Continuous Working Temperature</b>	80 °C
<b>Max Static Pressure</b>	500 kPa
<b>Product Warranty</b>	5 Years



Suitable for high pressure applications (minimum 150 kPa)

# Timed Flow Tapware

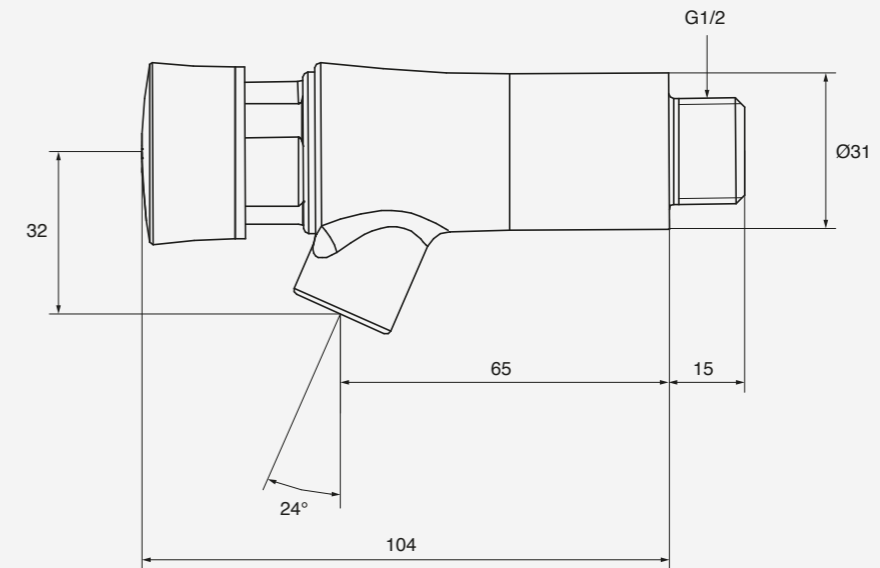
Designed using the world's leading technology, Wolfen offers a range of innovative solutions for industries requiring resilient design and consistent quality in timed flow tapware.



# Timed Flow Bib Tap 65mm

**Product Code: 9508243**  
Timed Flow Bib Tap 65 (Cold)

**Product Code: 9508244**  
Timed Flow Bib Tap 65 (Warm)



## Commercial Applications



## Features and Benefits

### Commercial durability features

Solid brass body  
In-built water-hammer prevention

### Installation and servicing

Interchangeable head for easy maintenance

### Usage features

Patented cartridge technology for reliable timed-flow  
7 second flow  
Soft button press

### Anti-vandal features

Anti-vandal, non-turnable button  
Anti-vandal aerator

## Technical Information

<b>Colour</b>	Chrome
<b>Finish</b>	Polished
<b>Material</b>	Brass
<b>Cartridge Type</b>	Timed Flow
<b>Min Continuous Working Pressure</b>	100 kPa
<b>Max Continuous Working Pressure</b>	500 kPa
<b>Min Continuous Working Temperature</b>	2 °C
<b>Max Continuous Working Temperature</b>	50 °C
<b>Product Warranty</b>	5 Years

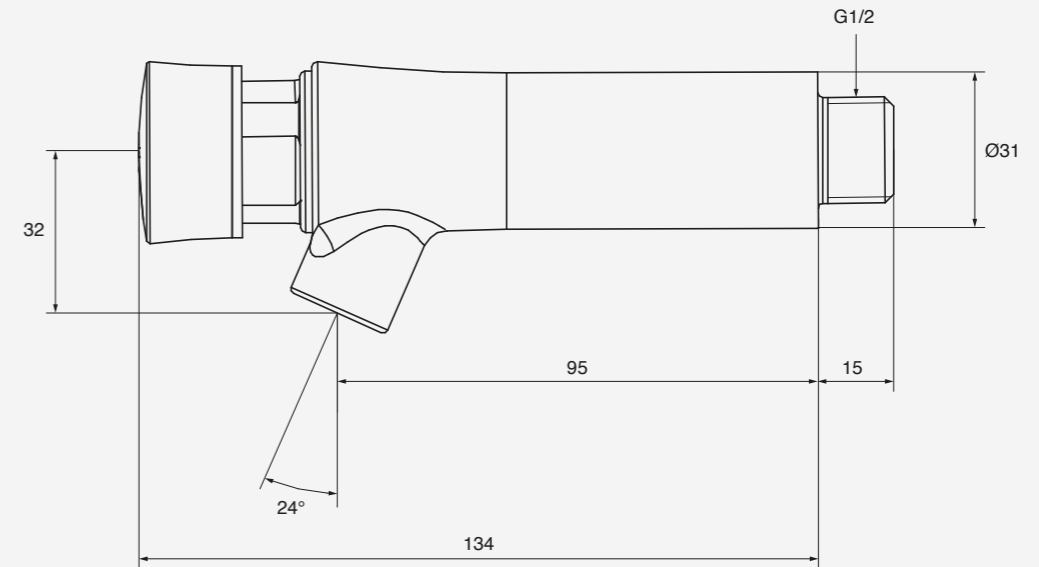


Suitable for high pressure applications (minimum 150 kPa)

# Timed Flow Bib Tap 95mm

**Product Code: 9508245**  
Timed Flow Bib Tap 95 (Cold)

**Product Code: 9508246**  
Timed Flow Bib Tap 95 (Warm)



## Commercial Applications



Aged Care



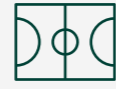
Education



Hospital and Health Care



Public Places



Sports and Leisure

## Features and Benefits

### Commercial durability features

Solid brass body  
In-built water-hammer prevention

### Installation and servicing

Interchangeable head for easy maintenance

### Usage features

Patented cartridge technology for reliable timed-flow  
7 second flow

Soft button press

### Anti-vandal features

Anti-vandal, non-turnable button  
Anti-vandal aerator

## Technical Information

<b>Colour</b>	Chrome
<b>Finish</b>	Polished
<b>Material</b>	Brass
<b>Cartridge Type</b>	Timed Flow
<b>Min Continuous Working Pressure</b>	100 kPa
<b>Max Continuous Working Pressure</b>	500 kPa
<b>Min Continuous Working Temperature</b>	2 °C
<b>Max Continuous Working Temperature</b>	50 °C
<b>Product Warranty</b>	5 Years

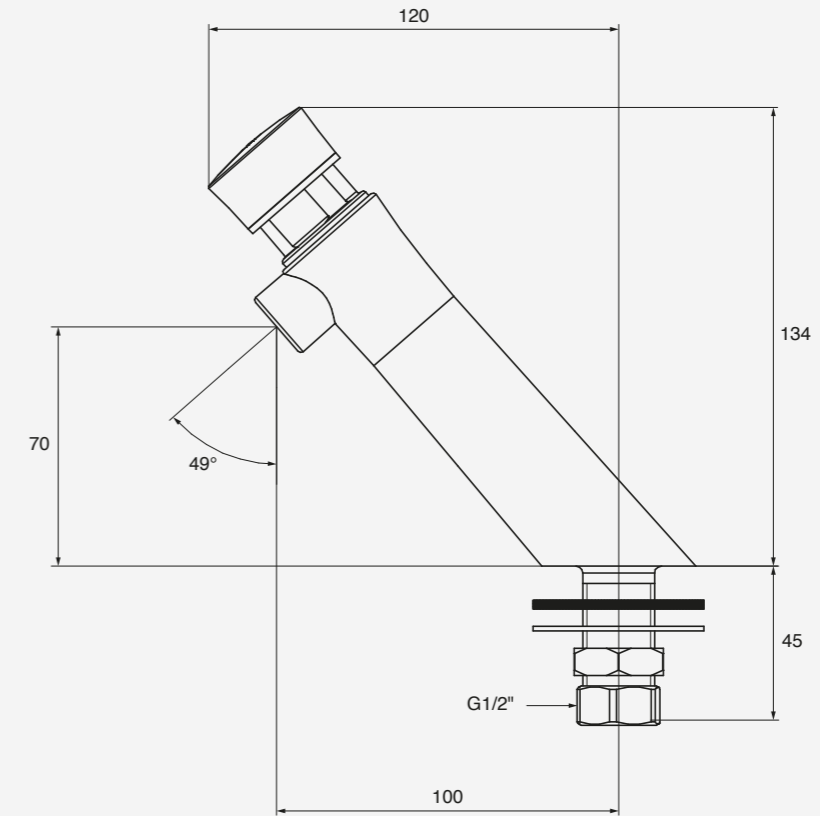




# Timed Flow Basin Tap

**Product Code: 9508241**  
Timed Flow Basin Tap (Cold)

**Product Code: 9508242**  
Timed Flow Basin Tap (Warm)



## Commercial Applications



## Features and Benefits

### Commercial durability features

Solid brass body  
In-built water-hammer prevention

### Installation and servicing

Interchangeable head for easy maintenance

### Usage features

Patented cartridge technology for reliable timed-flow  
7 second flow  
Soft button press

### Anti-vandal features

Anti-vandal, non-turnable button  
Anti-vandal aerator

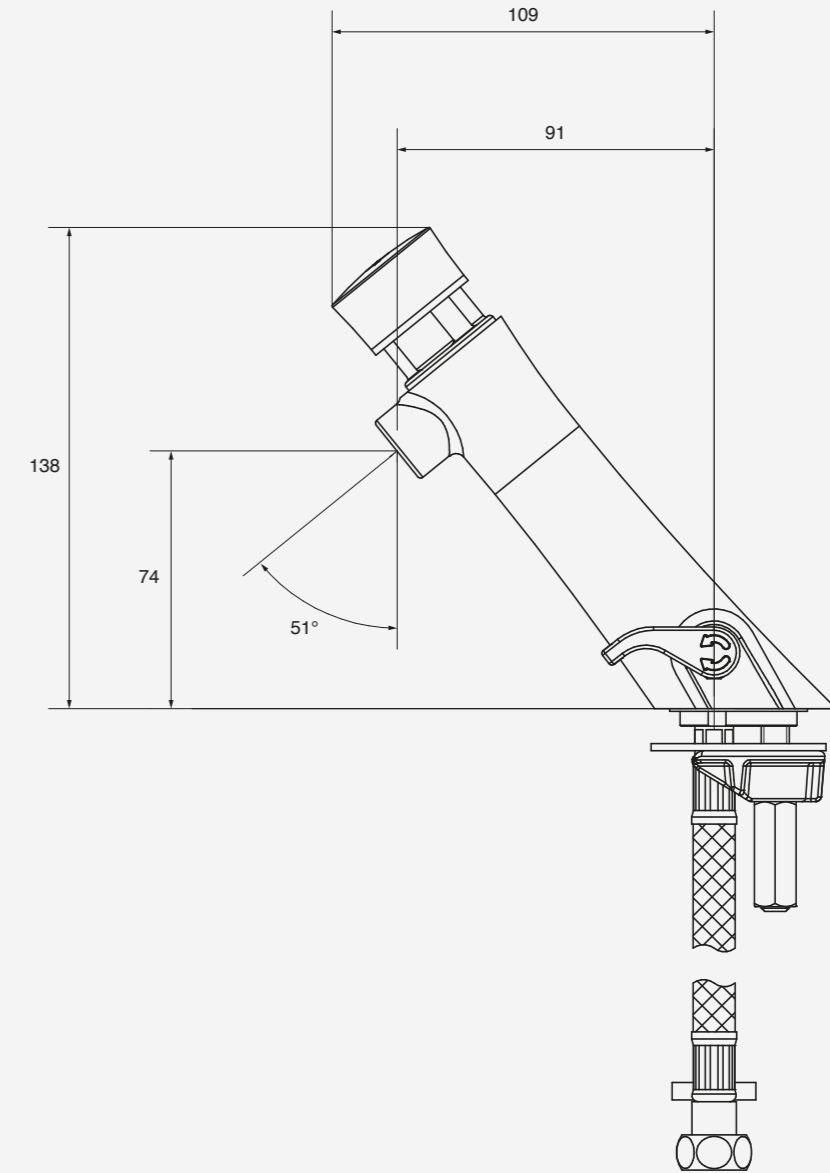
## Technical Information

<b>Colour</b>	Chrome
<b>Finish</b>	Polished
<b>Material</b>	Brass
<b>Cartridge Type</b>	Timed Flow
<b>Min Continuous Working Pressure</b>	100 kPa
<b>Max Continuous Working Pressure</b>	500 kPa
<b>Min Continuous Working Temperature</b>	2 °C
<b>Max Continuous Working Temperature</b>	50 °C
<b>Product Warranty</b>	5 Years



# Timed Flow Mixer Tap

Product Code: 9508240  
Timed Flow Mixer Tap



## Commercial Applications



## Features and Benefits

### Commercial durability features

- Solid brass body
- In-built water-hammer prevention

### Installation and servicing

- Interchangeable head for easy maintenance

### Usage features

- Patented cartridge technology for reliable timed-flow
- 7 second flow
- Soft button press for warm water
- Lever handle for cold water

### Anti-vandal features

- Anti-vandal, non-turnable button
- Anti-vandal aerator

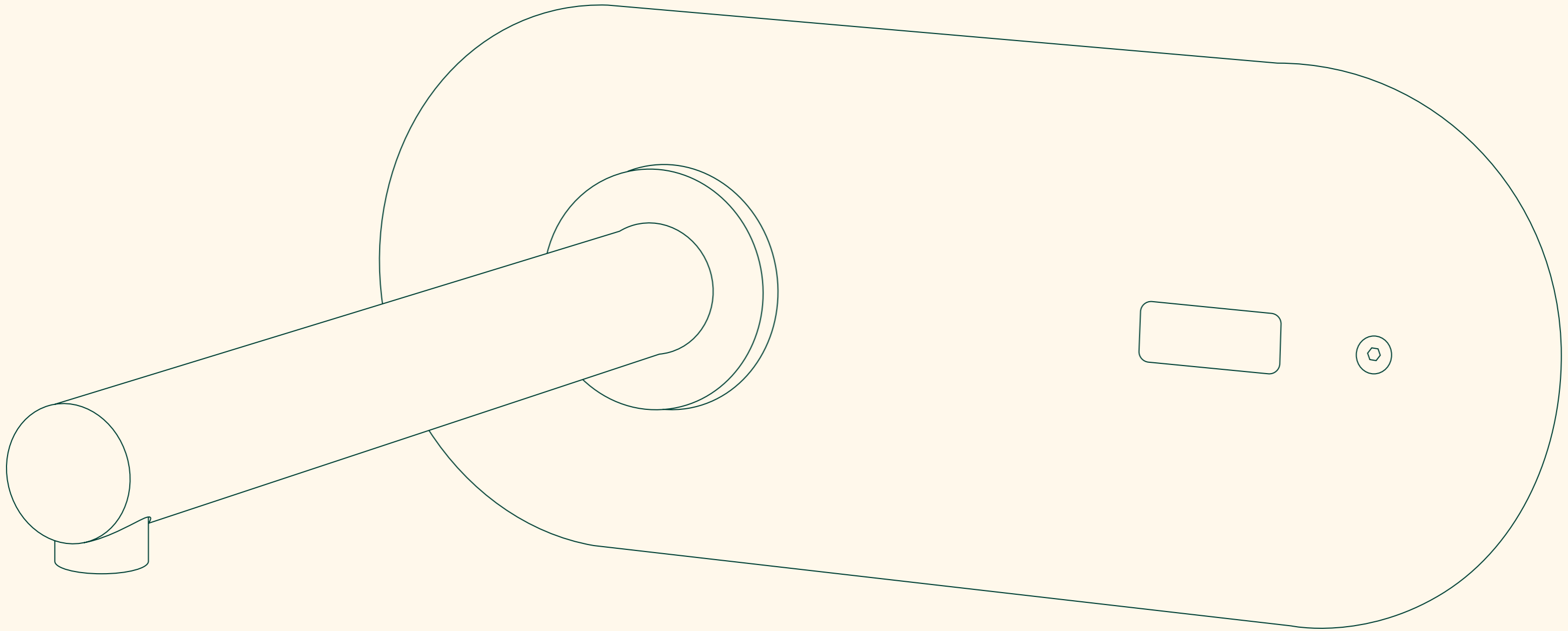
## Technical Information

Colour	Chrome
Finish	Polished
Material	Brass
Cartridge Type	Timed Flow
Min Continuous Working Pressure	100 kPa
Max Continuous Working Pressure	500 kPa
Min Continuous Working Temperature	2 °C
Max Continuous Working Temperature	50 °C
Product Warranty	5 Years



# Electronic and Sensor Operated Tapware

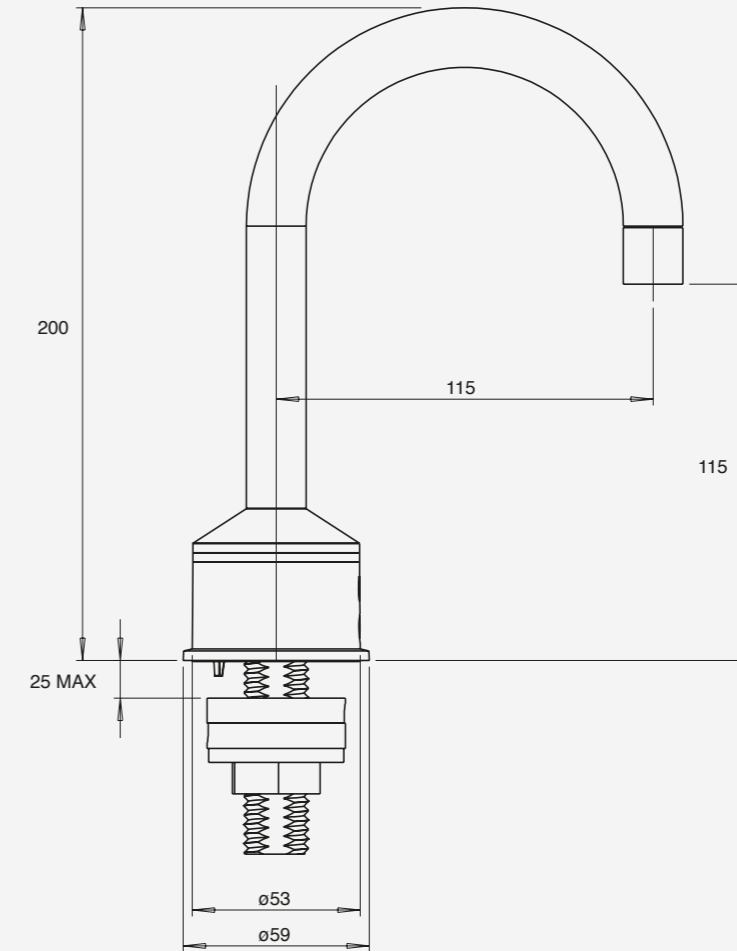
Intelligently designed, relentlessly tested and robustly engineered, Wolfen's electronic and sensor operated tapware is the ultimate solution for ease of use and functionality.



# Sensor Operated Gooseneck Tap with LED Option

**Product Code: 9506217**  
Sensor Gooseneck Tap with LED Light and Sensor Range Adjustment

**Product Code: 9505568**  
Sensor Gooseneck Tap with Sensor Range Adjustment



## Commercial Applications



Aged Care



Commercial Kitchens



Hospital and Health Care

## Features and Benefits

### Infection control features

- Touch-free operation
- LED option available

### Commercial durability

- Waterproof electronics
- Protective shield to prevent cable damage

### Installation and servicing

- Fixed 1/2" BSP thread provides a fast and stable installation point
- Integrated dress ring creates a larger mounting platform
- Easy side access sensor range adjustment
- Light indicator on power pack self diagnoses effective power supply to unit

### Usage features

- Reflection proof sensor prevents false triggering

### Anti-vandal features

- Aerator cannot be easily unscrewed

## Technical Information

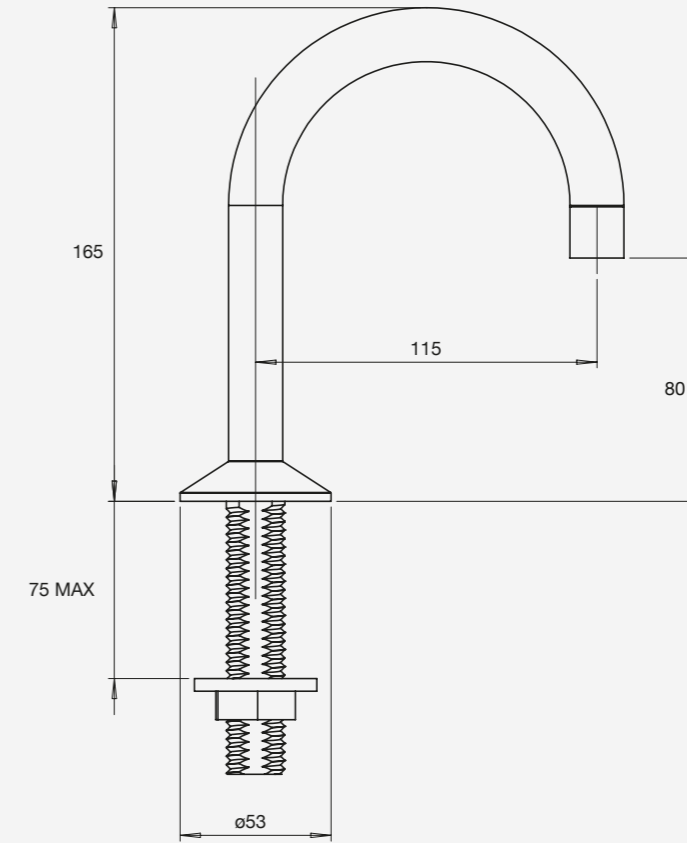
<b>Colour</b>	Chrome
<b>Finish</b>	Polished
<b>Material</b>	Brass
<b>Power Supply</b>	240 V AC
<b>Max Continuous Working Pressure</b>	500 kPa
<b>Min Continuous Working Temperature</b>	2 °C
<b>Max Continuous Working Temperature</b>	50 °C
<b>Product Warranty</b>	5 Years



Suitable for high pressure applications (minimum 150 kPa)

# Sensor Operated Gooseneck with 6V Battery Power

**Product Code: 9507918**  
Sensor Gooseneck Tap with LED Light and Sensor Range Adjustment



## Commercial Applications



Aged Care



Commercial Kitchens



Hospital and Health Care

## Features and Benefits

### Infection control features

Touch-free operation

### Commercial durability

Solid chrome plated brass construction

Solenoid incorporates two stage water strainers

Waterproof electronics

### Usage Features

Self-ranging and user-settable range Infra-Red sensor

Continuous battery condition monitoring

Low battery condition warning LED

Tap is disabled automatically when battery life is finished

Water flow rate 6.5 L/minute 5\* rated

## Technical Information

<b>Colour</b>	Chrome
<b>Material</b>	Brass
<b>Finish</b>	Polished
<b>Power supply</b>	6 V Battery Module
<b>Battery Life</b>	*Approx. 4 Years
<b>Operating pressure</b>	500 kPa
<b>Static Inlet Pressure</b>	150–190 kPa
<b>Sensor Range</b>	40–300 mm



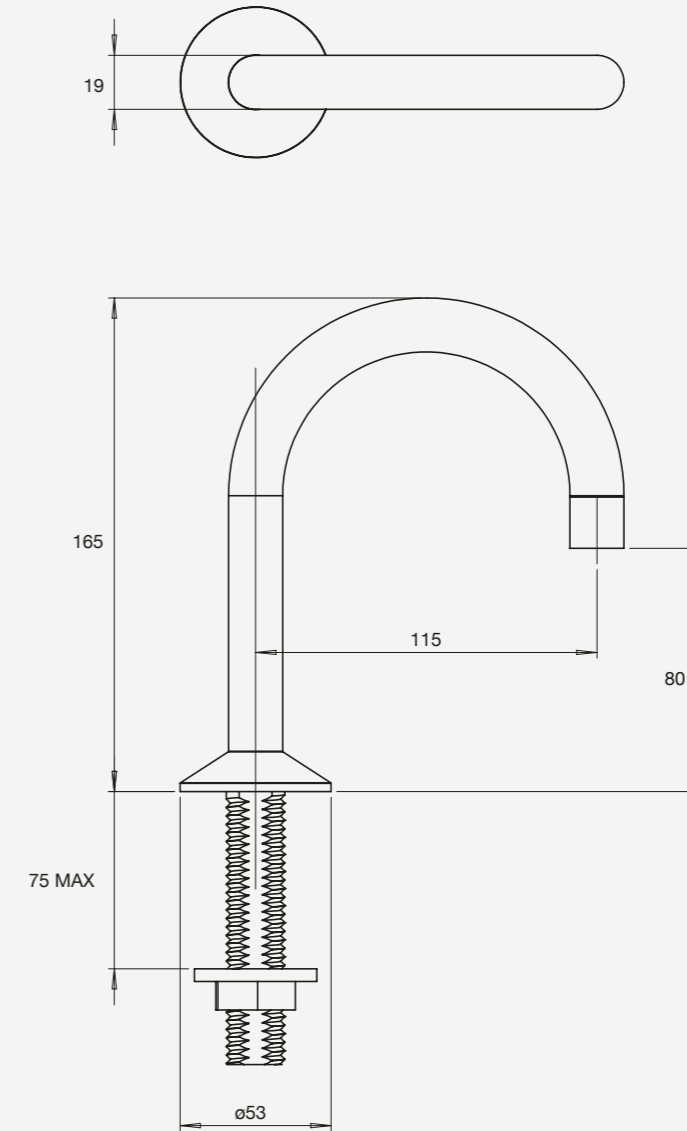
Suitable for high pressure applications (minimum 150 kPa)

# Electronic Foot Pedal Operated Tap

**Product Code: 9505569**  
Sensor Gooseneck Tap with Electronic Foot Pedal



**Spare Part:** 9506218 Electronic Foot Pedal Power Pack



## Commercial Applications



Aged Care



Commercial Kitchens



Hospital and Health Care

## Features and Benefits

### Infection control features

Hands-free operation

### Commercial durability

Heavy duty foot pedal

### Installation and servicing

Wall bracket for solenoid control unit

Fixed 1/2" BSP thread provides a fast and stable installation point

### Usage features

Touch-on / touch-off operation & timed operation

LED indicator on control unit when battery is low

Fixed 1/2" BSP thread provides a fast and stable installation point

### Anti-vandal features

Aerator cannot be easily unscrewed

## Technical Information

<b>Colour</b>	Chrome
<b>Finish</b>	Polished
<b>Material</b>	Brass
<b>Power Supply</b>	240 V AC
<b>Max Continuous Working Pressure</b>	500 kPa
<b>Min Continuous Working Temperature</b>	2 °C
<b>Max Continuous Working Temperature</b>	50 °C
<b>Product Warranty</b>	5 Years

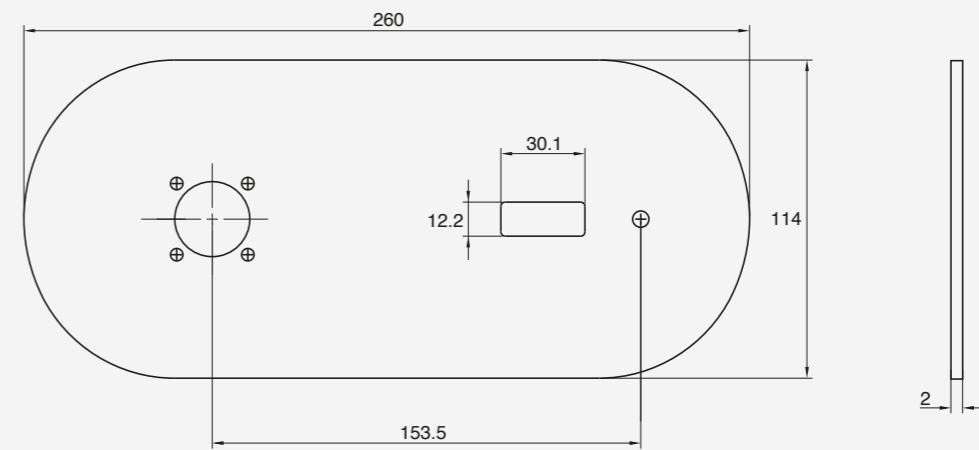
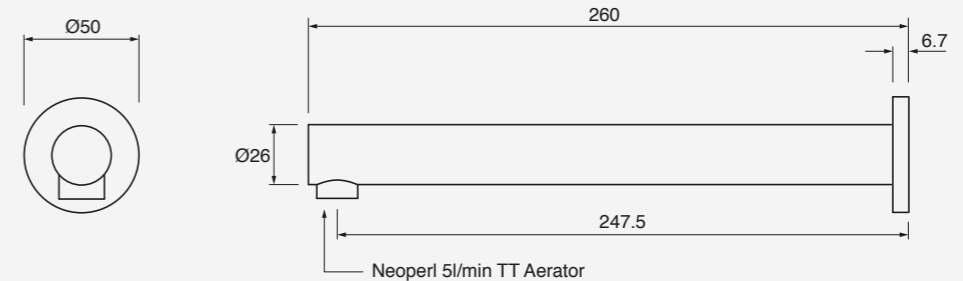


Suitable for high pressure applications (minimum 150 kPa)

# Wall Mounted Outlet with Plate and Wave-On Sensor

**Product Code: 9506034**

Wall Mounted Sensor Tap with Wall Plate and Outlet



## Commercial Applications



Public Places

## Features and Benefits

### Commercial durability

12V mains power via plug-pack power supply

Low consumption in standby

Solenoid cartridge has integrated stainless steel strainer

Water resistant gold-plated cable pluggable connectors

Brushed 260 mm stainless steel spout and cover plate

Program adjustability via optional remote control

Auto line flush when unit has not been used for 24hrs

### Installation and servicing

Plug pack transformer with 4.8m cable

Modular components allow easy maintenance and changeover

Quick connect moulded electrical plugs

Plate can be removed without disassembling spout

Everything except transformer is contained within a pre-assembled in-wall installation box

Only 70 mm wall cavity required

Integrated maintenance shut-off valve

Adjustable mounting brackets included

### Usage features

Quick and easy program adjustment via optional remote control

Features an automated water shut-off function

Tap can be set up to fill a bath tub

### Anti-vandal features

Vandal resistant wall mounted components

## Technical Information

<b>Colour</b>	Stainless Steel
<b>Finish</b>	Brushed
<b>Material</b>	Stainless Steel
<b>Max Continuous Working Pressure</b>	150 kPa
<b>Min Continuous Working Temperature</b>	500 kPa
<b>Max Continuous Working Temperature</b>	70° C
<b>Max Static Pressure</b>	800 kPa
<b>Product Warranty</b>	5 Years



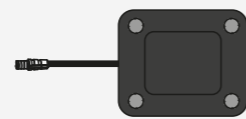
Suitable for high pressure applications (minimum 150 kPa)



# Hob Mounted Sensor Tap with Internal Solenoid

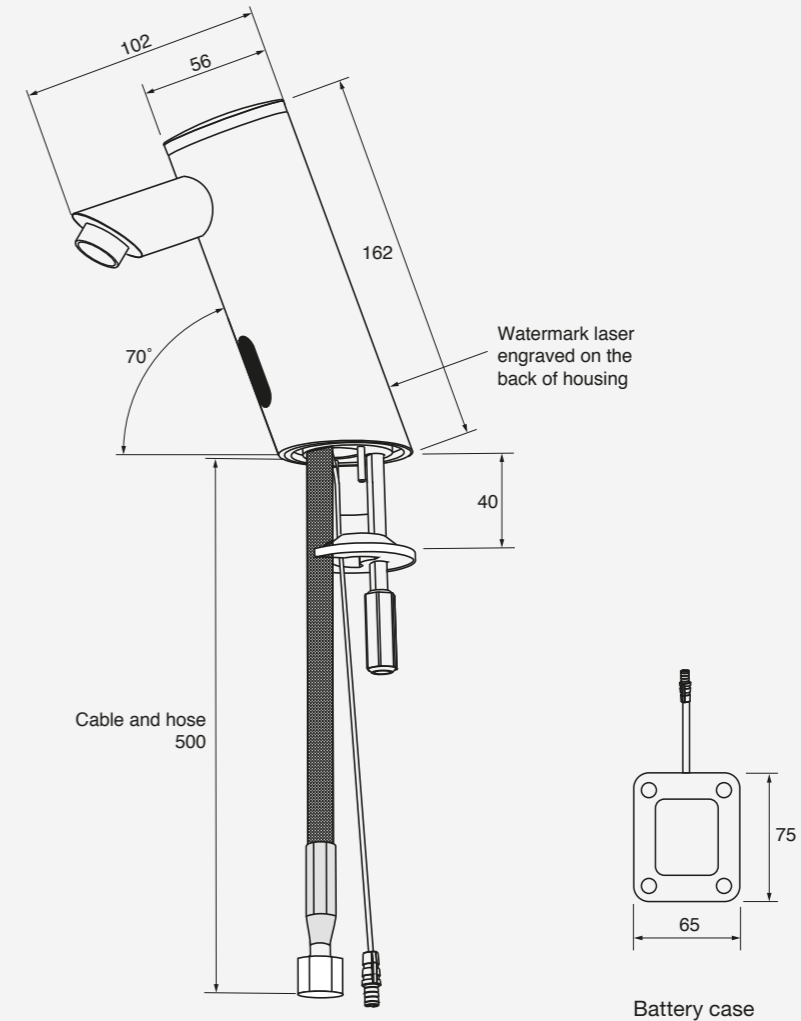
**Product Code: 9506036**

Hob Mounted Sensor Tap with Self-Calibrating Infrared Sensor and Internal Solenoid



**Battery case**

**Spare Part:**  
9506038  
AC Conversion Unit to 6V



## Commercial Applications



Public Places

## Features and Benefits

### Commercial durability

- Low power consumption ensuring a long battery life
- Solenoid cartridge has integrated stainless steel strainer
- Water resistant gold-plated cable pluggable connectors

### Installation and servicing

- Battery or optional mains powered
- Operates on 4 X AA batteries
- External battery pack for ease of changeover
- Modular components allow easy maintenance and changeover
- Quick connect moulded plugs

### Usage features

- Self calibrating infrared electronic sensor
- Tap operates when hand is in sensor range and stops when out of range
- Self adjusting when powered up

### Anti-vandal features

- Vandal resistant wall mounted components
- Tap will switch off automatically when used for more than 60 seconds

## Technical Information

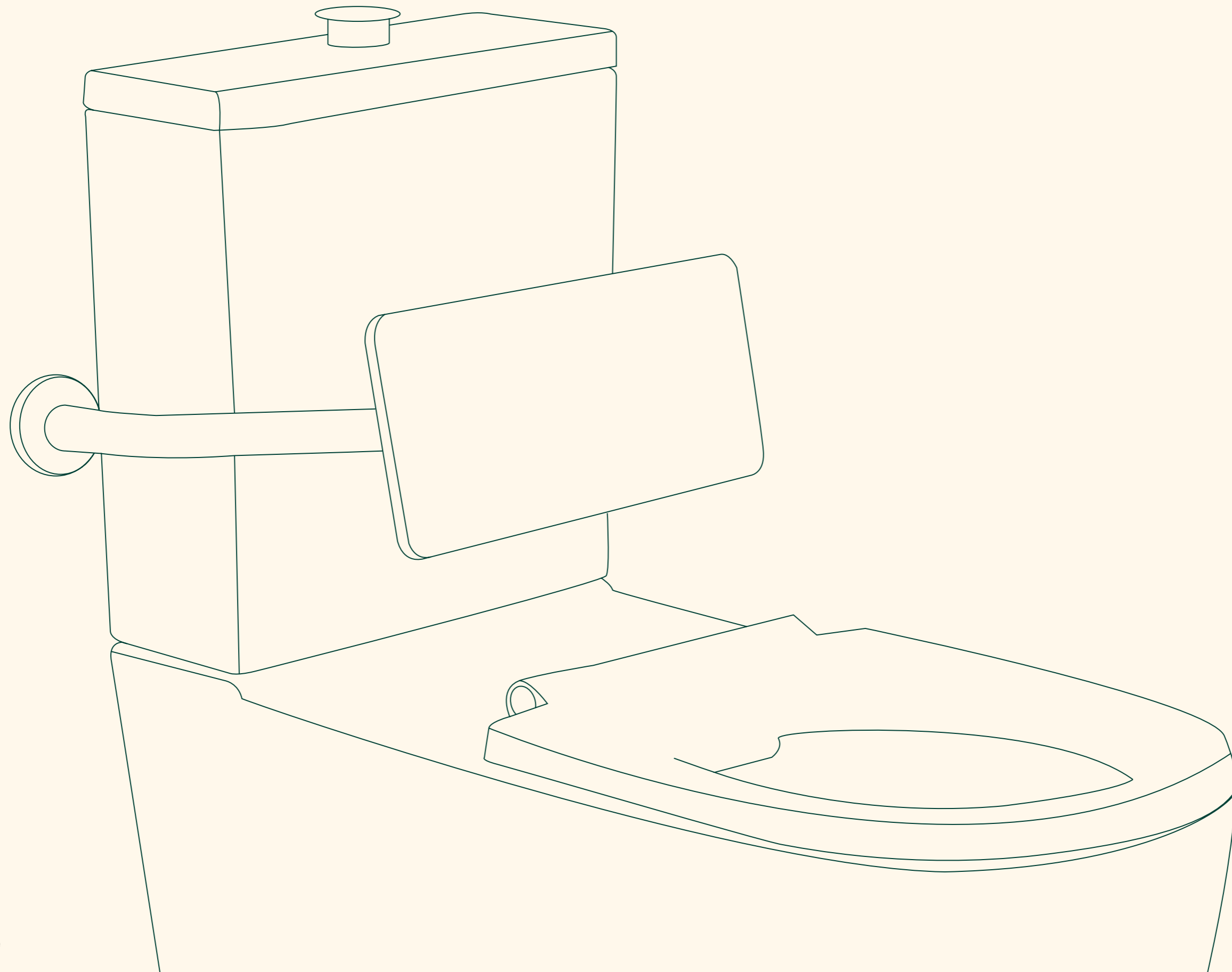
<b>Colour</b>	Chrome
<b>Finish</b>	Polished
<b>Material</b>	Brass
<b>Min Continuous Working Pressure</b>	150 kPa
<b>Max Continuous Working Pressure</b>	500 kPa
<b>Maximum Temperature</b>	70 °C
<b>Max Static Pressure</b>	800 kPa
<b>Product Warranty</b>	5 Years



Suitable for high pressure applications (minimum 150 kPa)

# Toilet Suites

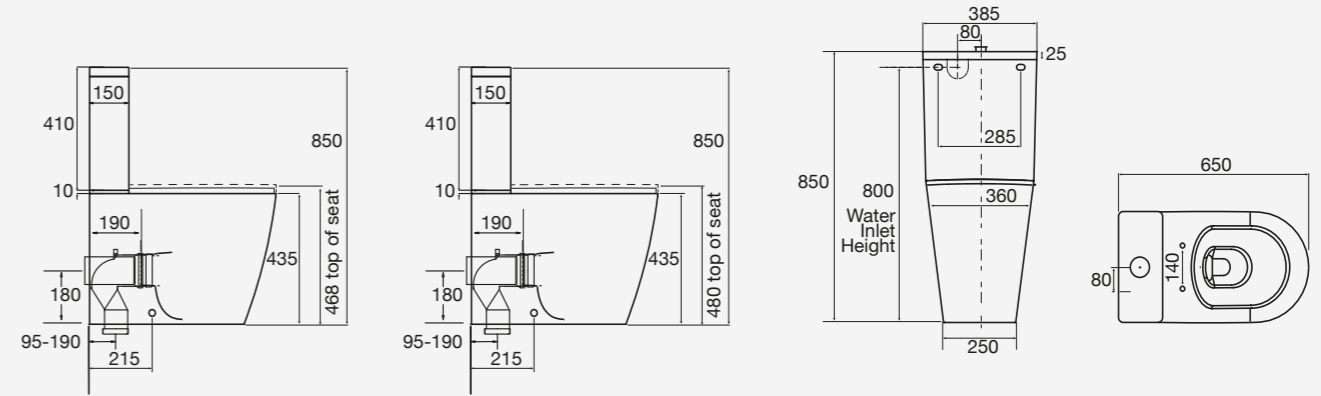
Combining innovative technology with world leading manufacturing techniques, Wolfen Suites are designed to positively impact people's lives. Each suite meets stringent Australian quality standards for disability access.



# Close Coupled Back to Wall Ambulant Toilet Suite

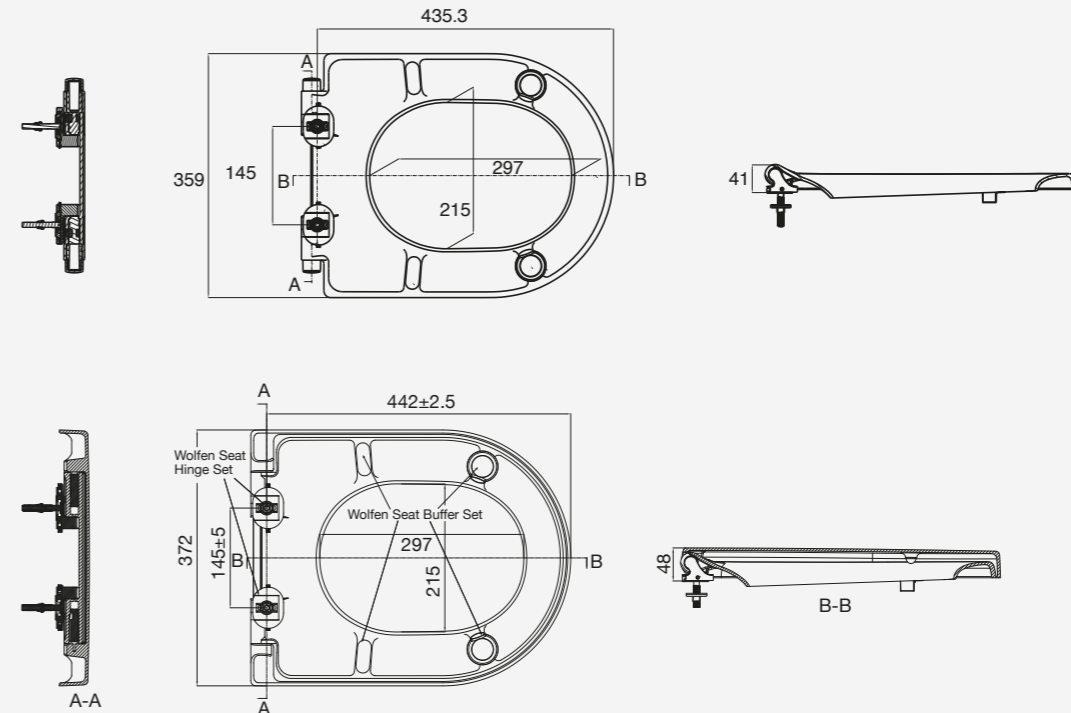
**Product Code: 9510381 (White), 9510382 (Blue), 9510383 (Grey)**  
 Closed Coupled Back to Wall Ambulant Toilet Suite  
 with Single Flap Seat and Raised Buttons

**Product Code: 9510384 (White), 9510385 (Blue), 9510386 (Grey)**  
 Close Coupled Back to Wall Ambulant Toilet Suite  
 with Double Flap Seat and Raised Buttons



Ambulant Toilet Suite with Single Flap Toilet Seat

Ambulant Toilet Suite with Double Flap Toilet Seat



## Commercial Applications



## Features and Benefits

### Comfort and hygiene

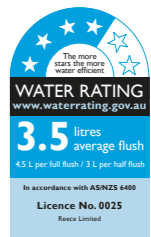
- Raised pan height
- Raised buttons
- Rimless design
- Seat includes buffers to minimise movement on pan

## Technical Information

<b>Pan Colour</b>	White
<b>Cistern Colour</b>	White
<b>Seat Colour</b>	White (Single: 9508007, Double: 1804815) Blue (Single: 9508008, Double: 1804816) Grey (Single: 9508009, Double: 1804817)
<b>Button Colour</b>	White, Blue or Grey
<b>Pan Material</b>	Vitreous China
<b>Cistern Material</b>	Vitreous China
<b>Seat Material</b>	Urea with Stainless Steel Hinges
<b>Pan Weight</b>	33 kg

## Technical Information

<b>Cistern Weight</b>	19 kg
<b>Seat Weight</b>	1.1 kg
<b>Water Inlet Position</b>	Back Inlet
<b>Set Out (mm)</b>	95 mm - 180 mm (S Trap), 180 mm (P Trap)
<b>Rim Configuration</b>	Rimless
<b>Inlet Valve Pressure</b>	500 kPa
<b>Product Warranty</b>	5 Years Domestic Use 5 Years Commercial Use



# Ambulant Back to Wall Toilet Pan

**Product code: 1811728 (White), 1811730 (Blue), 1811732 (Grey)**  
 Wolfen Ambulant Back to Wall Rimless Pan with Double Flap Seat, Cistern and Button

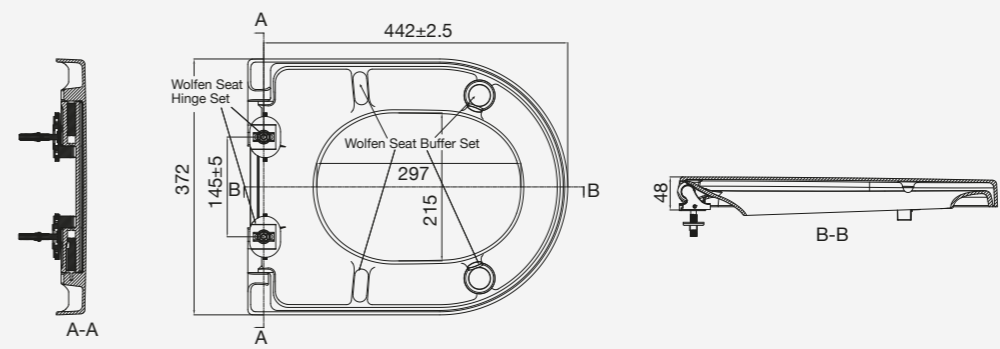
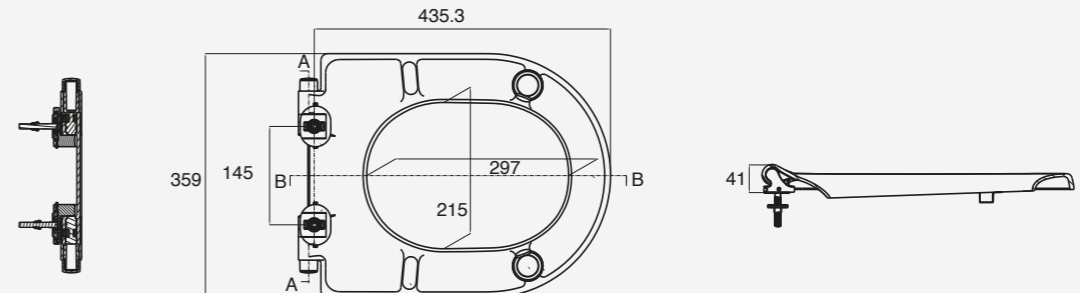
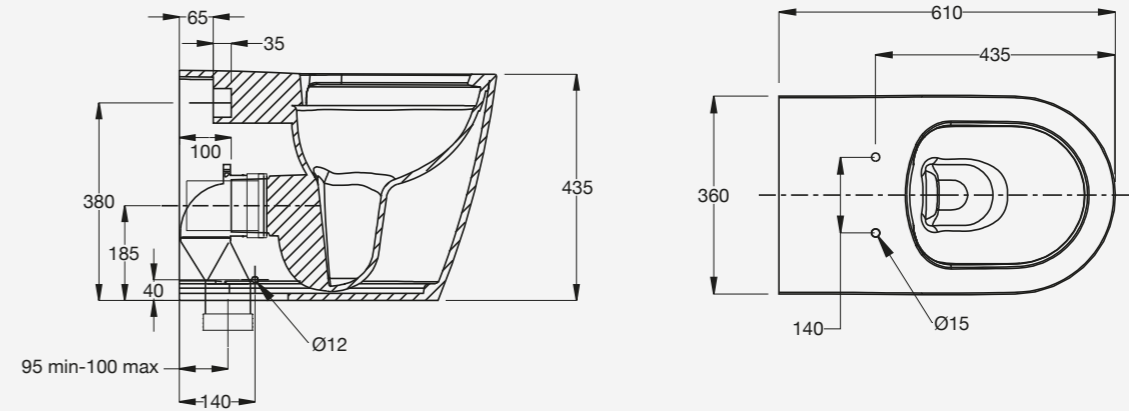
**Product code: 1811722 (White), 1811724 (Blue), 1811726 (Grey)**  
 Wolfen Ambulant Back to Wall Rimless Pan with Single Flap Seat Cistern and Button

**Product Code: 1835010 (Blue), 1835011 (Grey), 1835009 (White)**  
 Wolfen Ambulant Back to Wall Rimless Pan with Sensor Button, Cistern, and Single Flap Seat

**Product Code: 1835013 (Blue), 1835014 (Grey), 1835015 (White)**  
 Wolfen Ambulant Back to Wall Rimless Pan with Sensor Button, Cistern, and Double Flap Seat



Available with:  
 Hideaway+ Sensor Button



## Commercial Applications



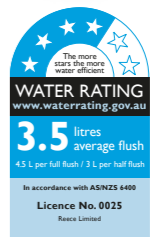
## Features and Benefits

- Comfort and hygiene**
- Raised pan height
- Raised buttons
- Rimless design
- Seat includes buffers to minimise movement on pan
- Sensor button provides greater hygiene with hands free activation

<b>Pan Colour</b>	White
<b>Cistern Colour</b>	White
<b>Seat Colour</b>	White (Single: 9508007, Double: 1804815) Blue (Single: 9508008, Double: 1804816) Grey (Single: 9508009, Double: 1804817)
<b>Button Colour</b>	White (9510029) Blue (9510027) Grey (9510028)
<b>Pan Material</b>	Vitreous China
<b>Cistern</b>	Hideaway+ Inwall Cistern
<b>Seat Material</b>	Urea with Stainless Steel Hinges
<b>Pan Weight</b>	16kg

## Technical Information

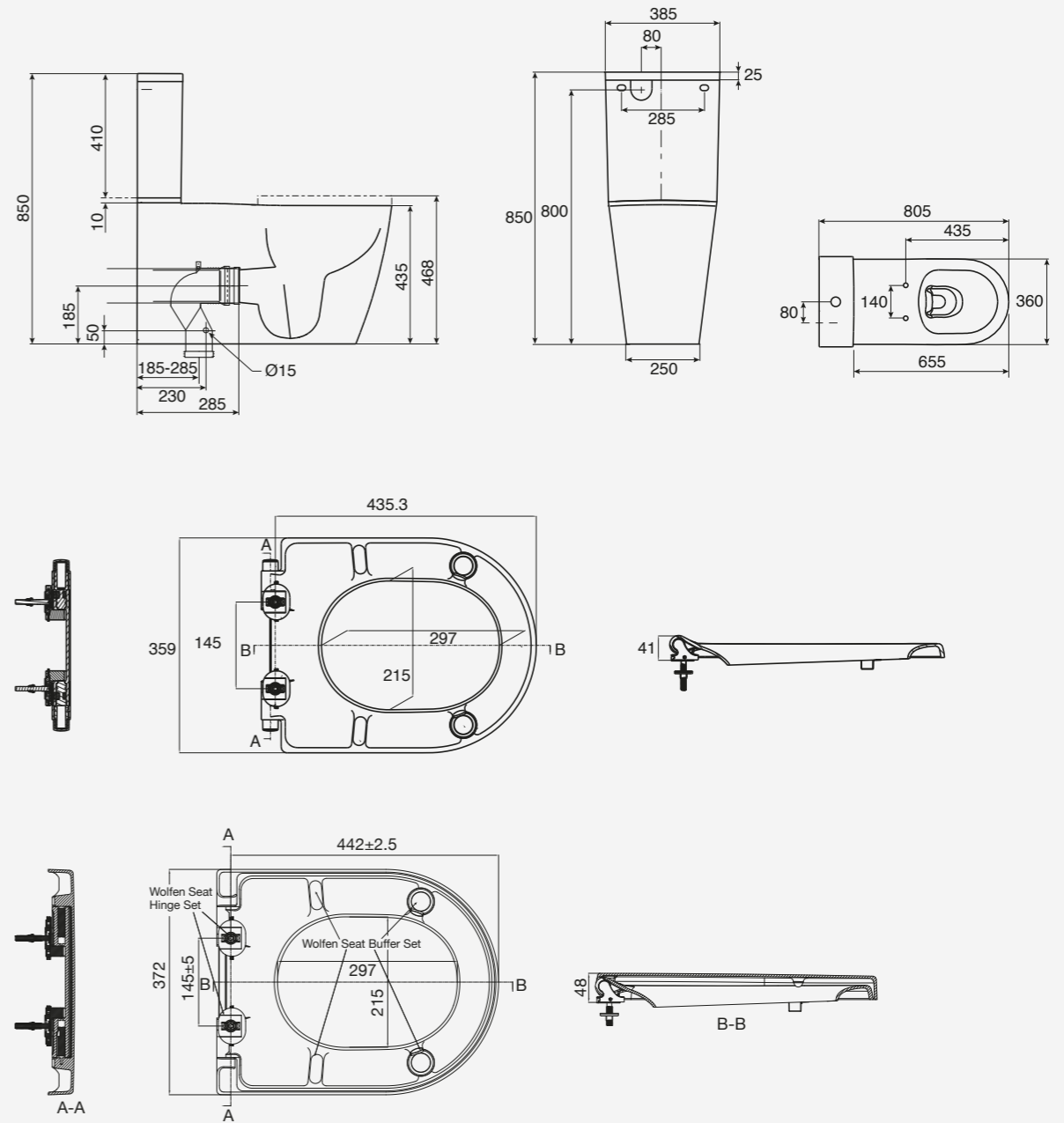
<b>Seat Weight</b>	1.1 kg
<b>Water Inlet Position</b>	Back Inlet
<b>Set Out (mm)</b>	95 mm - 100 mm (S Trap), 185 mm (P Trap)
<b>Rim Configuration</b>	Rimless
<b>Inlet Valve Pressure</b>	500 kPa
<b>Product Warranty</b>	5 Years Domestic Use 5 Years Commercial Use



# Close Coupled Back to Wall 800 Toilet Suite

**Product Code: 9508010 (White), 9508011 (Blue), 9508012 (Grey)**  
Close Coupled Back to Wall 800 Toilet Suite with Single Flap Seat and Raised Buttons

**Product Code: 1806668 (White), 1806669 (Blue), 1806670 (Grey)**  
Close Coupled Back to Wall 800 Toilet Suite with Double Flap Seat and Raised Buttons



## Commercial Applications



## Features and Benefits

### Comfort and Hygiene

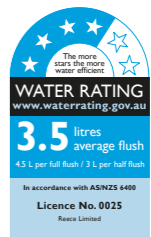
- Raised pan height
- Raised buttons
- Rimless design
- Seat includes buffers to minimise movement on pan

## Technical Information

<b>Pan Colour</b>	White
<b>Cistern Colour</b>	White
<b>Seat Colour</b>	White (Single: 9508007, Double: 1804815) Blue (Single: 9508008, Double: 1804816) Grey (Single: 9508009, Double: 1804817)
<b>Button Colour</b>	White, Blue or Grey
<b>Pan Material</b>	Vitreous China
<b>Cistern Material</b>	Vitreous China
<b>Seat Material</b>	Urea with Stainless Steel Hinges
<b>Pan Weight</b>	50 kg

## Technical Information

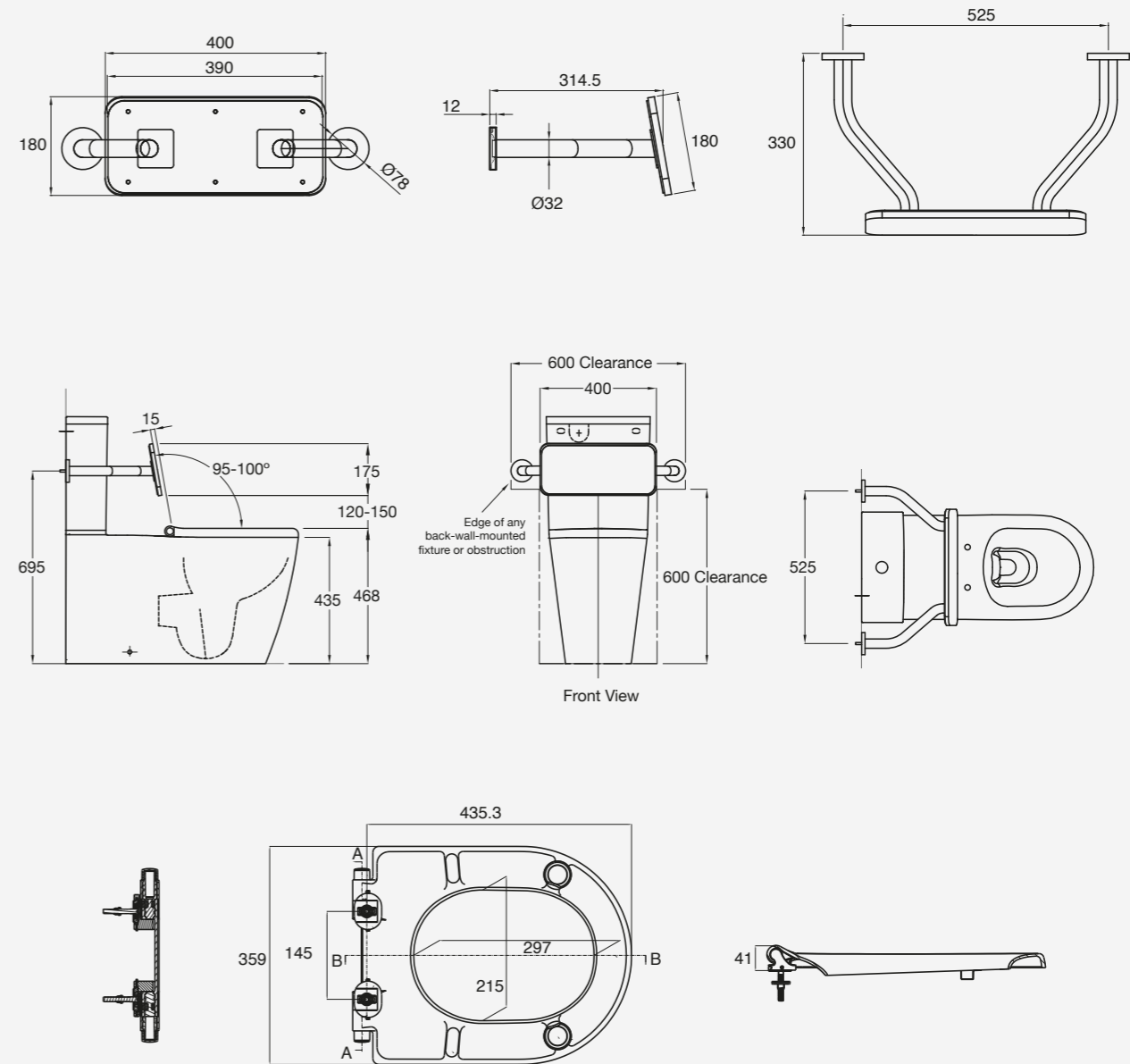
<b>Cistern Weight</b>	19 kg
<b>Seat Weight</b>	1.1 kg
<b>Water Inlet Position</b>	Back Inlet
<b>Set Out (mm)</b>	185 mm - 285 mm (S Trap), 185 mm (P Trap)
<b>Rim Configuration</b>	Rimless
<b>Inlet Valve Pressure</b>	500 kPa
<b>Product Warranty</b>	5 Years Domestic Use 5 Years Commercial Use





# Close Coupled Back to Wall 800 Toilet Suite with Backrest

**Product Code: 9508924 (White), 9508925 (Blue), 9508926 (Grey)**  
Close Coupled Back to Wall 800 Toilet Suit with Backrest,  
Single Flap Seat, and Raised Buttons



## Commercial Applications



Aged Care



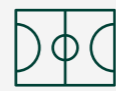
Education



Hospital and Health Care



Public Places



Sports and Leisure

## Features and Benefits

### Comfort and hygiene

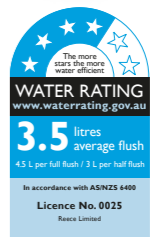
- Raised pan height
- Raised buttons
- Rimless design
- Seat includes buffers to minimise movement on pan
- Compliant back rest (9507171)

## Technical Information

<b>Pan Colour</b>	White
<b>Cistern Colour</b>	White
<b>Seat Colour</b>	White (9508007) Blue (9508008) Grey (9508009)
<b>Backrest</b>	UV Stabilised HDPE
<b>Back Rest Arms</b>	316 Grade Stainless, Steel Coach Screws
<b>Button Colour</b>	White, Blue or Grey
<b>Pan Material</b>	Vitreous China
<b>Cistern Material</b>	Vitreous China
<b>Seat Material</b>	Urea with Stainless Steel Hinges
<b>Pan Weight</b>	50 Kg

## Technical Information

<b>Cistern Weight</b>	19 kg
<b>Seat Weight</b>	1.1 kg
<b>Water Inlet Position</b>	Back Inlet
<b>Set Out (mm)</b>	185 mm - 285 mm (S Trap), 185 mm (P Trap)
<b>Rim Configuration</b>	Rimless
<b>Inlet Valve Pressure</b>	500 kPa
<b>Product Warranty</b>	5 Years Domestic Use 5 Years Commercial Use



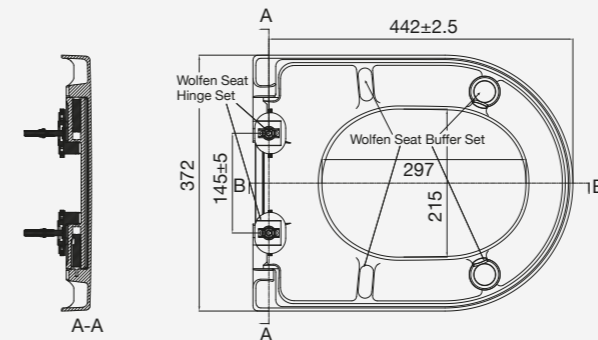
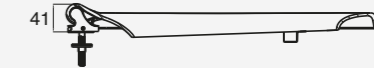
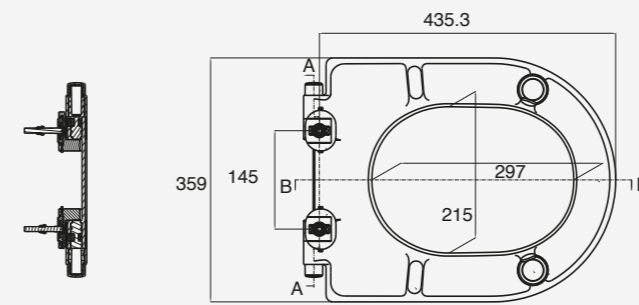
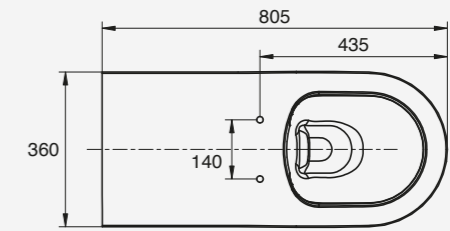
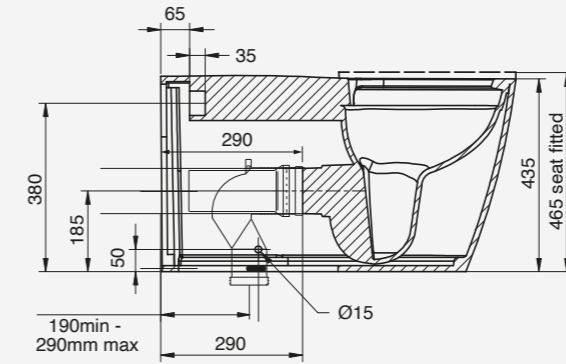
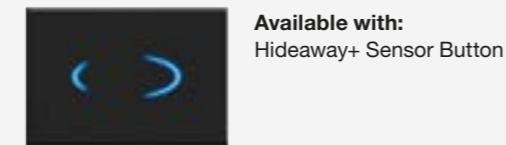
# Back to Wall Inwall 800 Toilet Suite

**Product Code: 9509708 (White), 9509706 (Blue), 9509707 (Grey)**  
Back to Wall Inwall 800 Toilet Suite with Single Flap Seat, Button, and Cistern

**Product Code: 1806677 (White), 1806678 (Blue), 1806679 (Grey)**  
Back to Wall Inwall 800 Toilet Suite with Double Flap Seat, Button, and Cistern

**Product Code: 1835001 (Blue), 1835002 (Grey), 1835000 (White)**  
Wolfen 800 Back to Wall Rimless Toilet Suite with Sensor Button, Cistern, and Single Flap Seat

**Product Code: 1835004 (Blue), 1835005 (Grey), 1835003 (White)**  
Wolfen 800 Back to Wall Rimless Toilet Suite with Sensor Button, Cistern, and Double Flap Seat



## Commercial Applications



Aged Care



Education



Hospital and Health Care



Public Places



Sports and Leisure

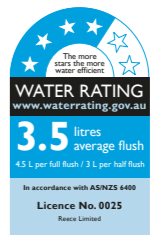
## Features and Benefits

### Comfort and hygiene

- \_\_\_\_\_ Raised pan height
- \_\_\_\_\_ Raised buttons
- \_\_\_\_\_ Rimless design
- \_\_\_\_\_ Seat includes buffers to minimise movement on pan
- \_\_\_\_\_ Sensor button provides greater hygiene with hands free activation

## Technical Information

<b>Pan Colour</b>	White
<b>Seat Colour</b>	White (Single: 9508007, Double: 1804815) Blue (Single: 9508008, Double: 1804816) Grey (Single: 9508009, Double: 1804817)
<b>Pan Material</b>	Vitreous China
<b>Seat Material</b>	Urea with Stainless Steel Hinges
<b>Pan Weight</b>	50 kg
<b>Seat Weight</b>	1.1 kg
<b>Cistern</b>	Hideaway+ Inwall Cistern
<b>Water Inlet Position</b>	Back Inlet
<b>Set Out (mm)</b>	190 mm - 290 mm (S Trap)
<b>Rim Configuration</b>	Rimless
<b>Product Warranty</b>	5 Years Domestic Use 5 Years Commercial Use





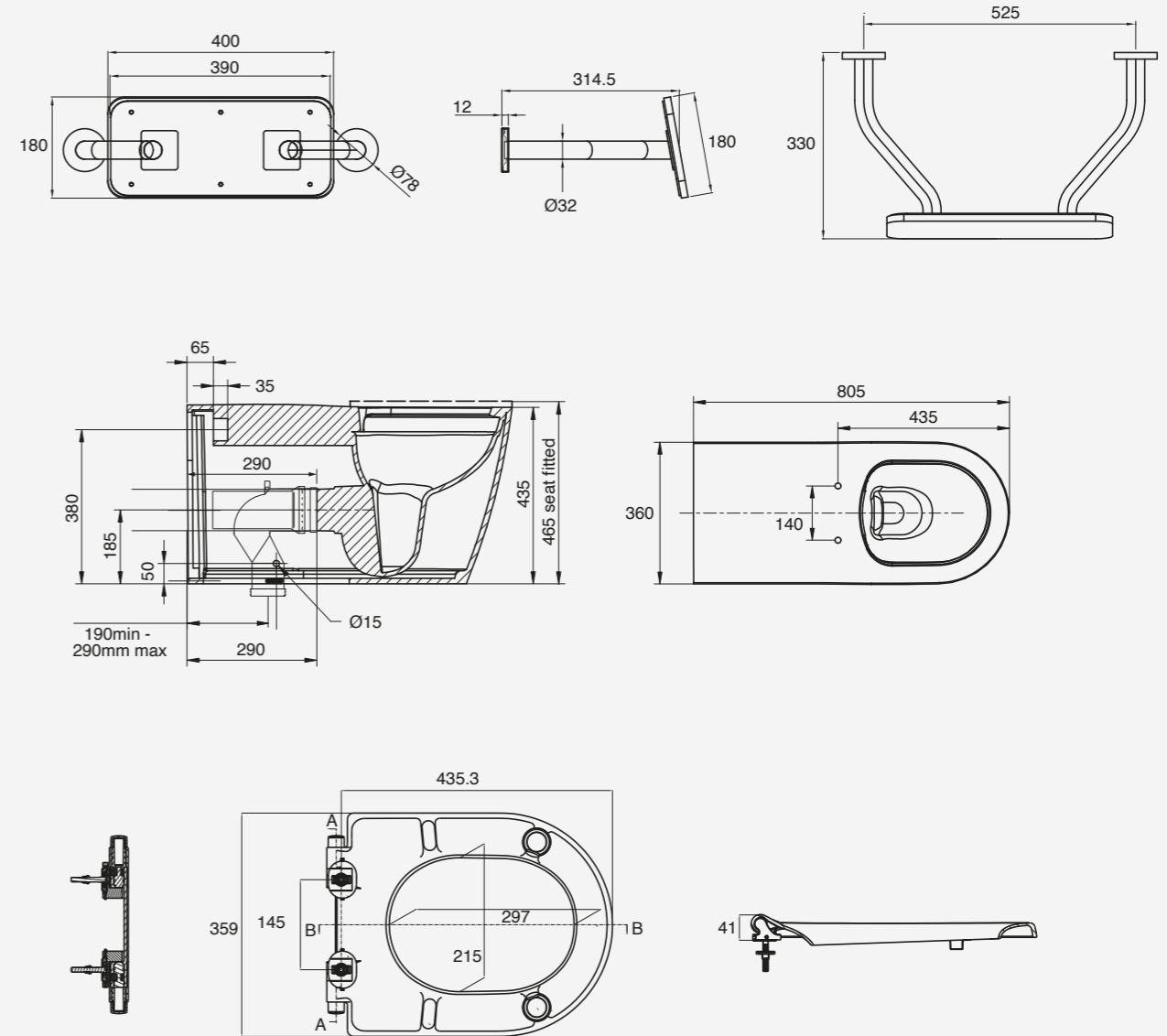
# Back to Wall Inwall 800 Toilet Pan with Backrest

**Product Code: 9509547 (White), 9509549 (Blue), 9509548 (Grey)**  
Back to Wall Inwall 800 Toilet Suite with Single Flap Seat, Button, Backrest and Cistern

**Product Code: 1835007 (Blue), 1835008 (Grey), 1835006 (White)**  
Wolfen 800 Back to Wall Rimless Toilet Suite with Sensor Button, Backrest, Cistern, and Single Flap Seat



Available with:  
Hideaway+ Sensor Button



## Commercial Applications



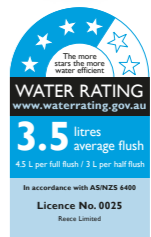
## Features and Benefits

### Comfort and hygiene

- Raised pan height
- Raised buttons
- Rimless design
- Seat includes buffers to minimise movement on pan
- Compliant back rest (9507171)
- Sensor button provides greater hygiene with hands free activation

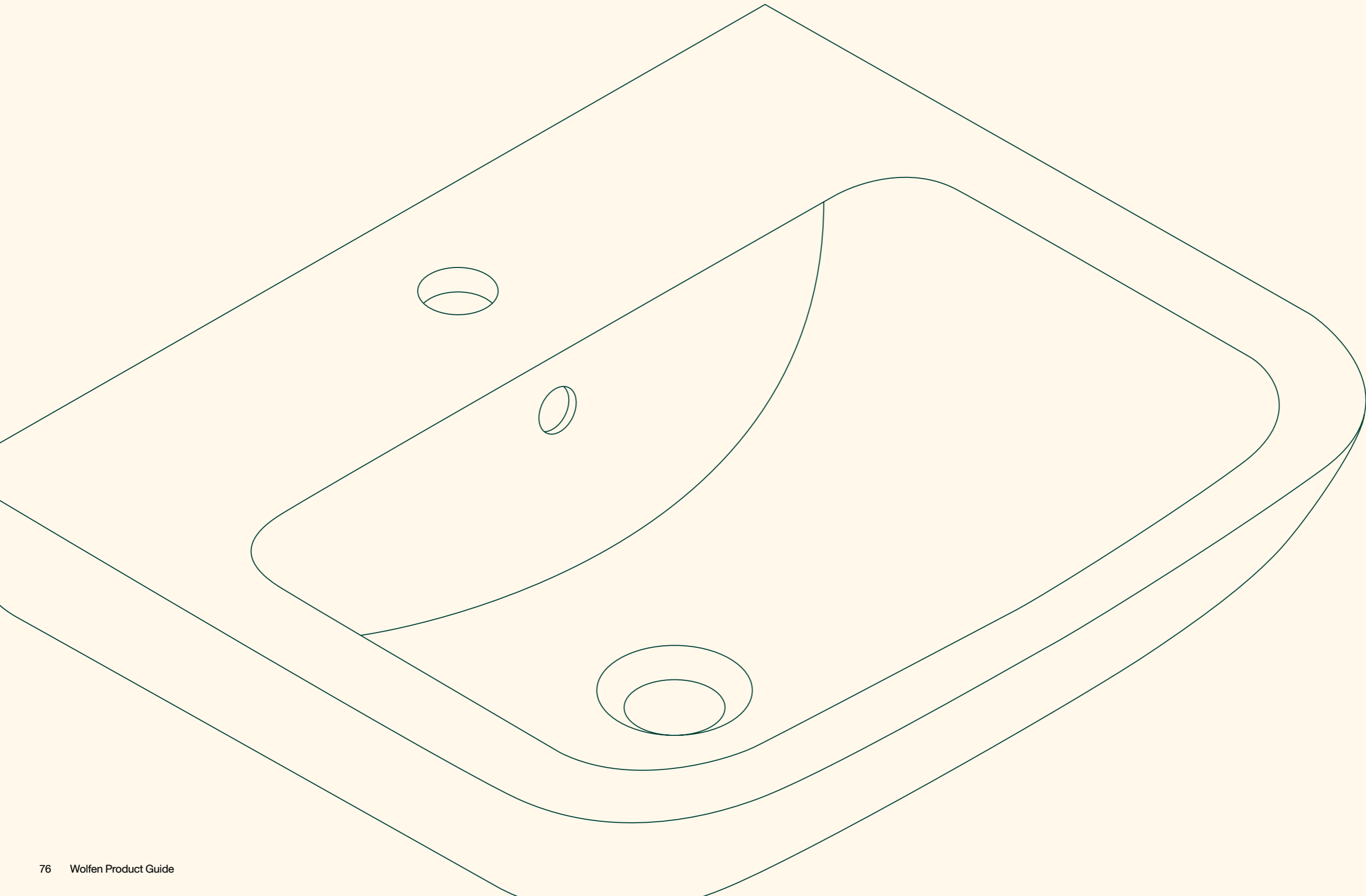
## Technical Information

<b>Pan Colour</b>	White
<b>Button Colour</b>	White (9510029), Blue (9510027), Grey (9510028)
<b>Seat Colour</b>	White (9508007), Blue (9508008), Grey (9508009)
<b>Pan Material</b>	Vitreous China
<b>Seat Material</b>	Urea with Stainless Steel Hinges
<b>Backrest</b>	UV stabilised HDPE
<b>Back Rest Arms</b>	316 Grade Stainless, Steel Coach Screws
<b>Pan Weight</b>	50 kg
<b>Seat Weight</b>	1.1 kg
<b>Cistern</b>	Hideaway+ Inwall Cistern
<b>Water Inlet Position</b>	Back Inlet
<b>Set Out (mm)</b>	190 mm - 290 mm (S Trap)
<b>Rim Configuration</b>	Rimless
<b>Inlet Valve Pressure</b>	500 kPa
<b>Product Warranty</b>	5 Years Domestic Use 5 Years Commercial Use



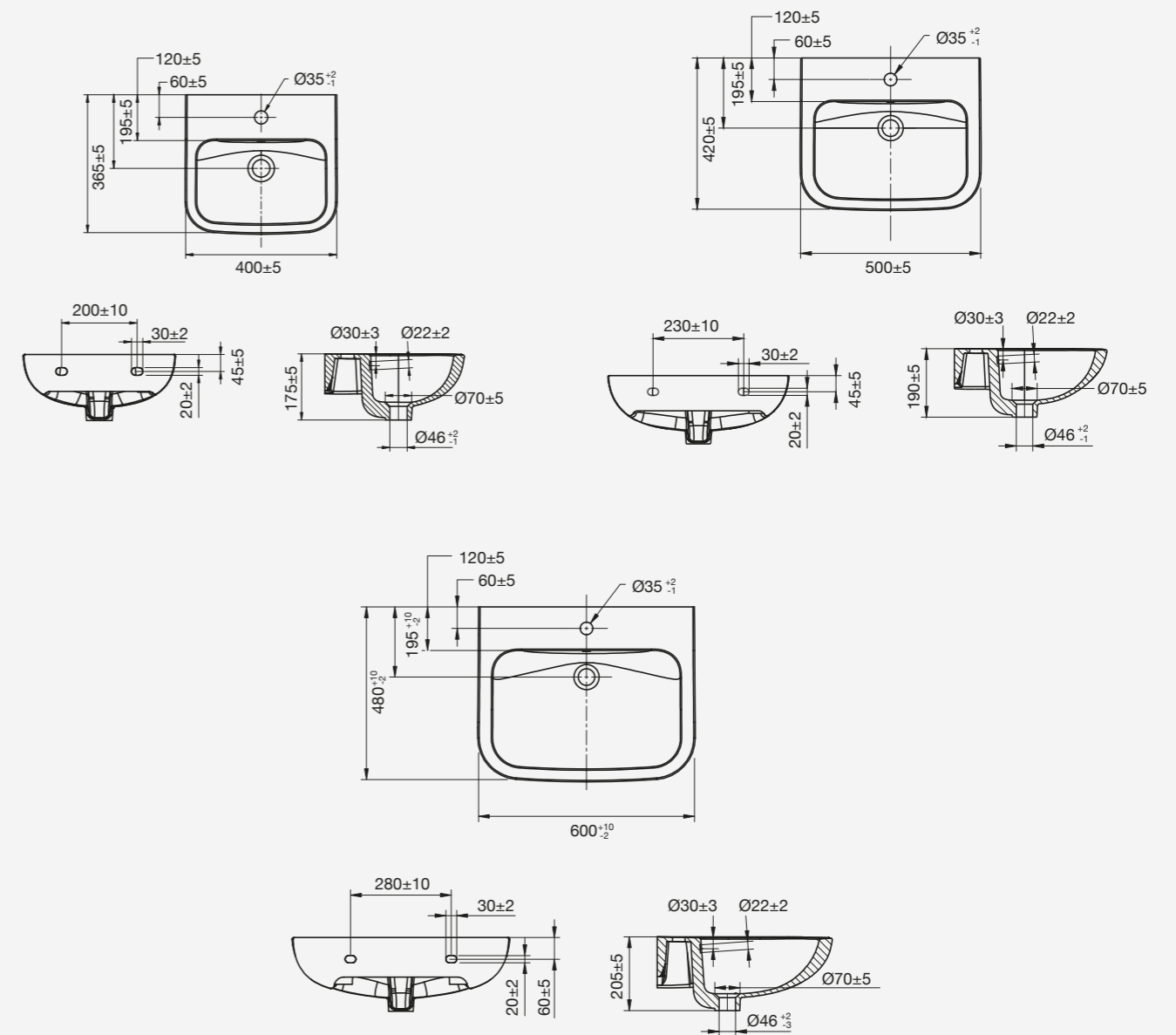
# Basins

Manufactured using the highest grade ceramics and precision molding, Wolfen has absolute commitment to the quality and strength of its basin range. These basins will bring style and functionality to any assisted living space.



# Wall Mounted Basins

Product Code: 1851594 (400x365x175),  
1851595 (500x420x190), 1851596 (600x480x205)  
Wall Basin 1 Taphole



## Commercial Applications



Aged Care



Education



Hospital and Health Care



Public Places



Sports and Leisure

## Features and Benefits

### Comfortable and practical

- Large basin area
- Smooth edge design
- Can be installed to meet requirements of AS1428.1
- Fully glazed underside provides comfort for seated users legs
- Fixing kit included

## Technical Information

<b>Bowl Type</b>	Single
<b>Bowl Configuration</b>	Centre
<b>Mounting</b>	Wall Hung
<b>Overflow Configuration</b>	Integrated Overflow
<b>Number of tapholes</b>	1 (Centre)
<b>Finish</b>	Gloss

## Technical Information

<b>Material</b>	Vitreous China
<b>Capacity and weight</b>	1851594 – 4L, 10kg 1851595 – 6.5L, 14kg 1851596 – 12L, 19.5kg
<b>Plug and Waste</b>	32 x 40mm (not included)
<b>Product Warranty</b>	5 years

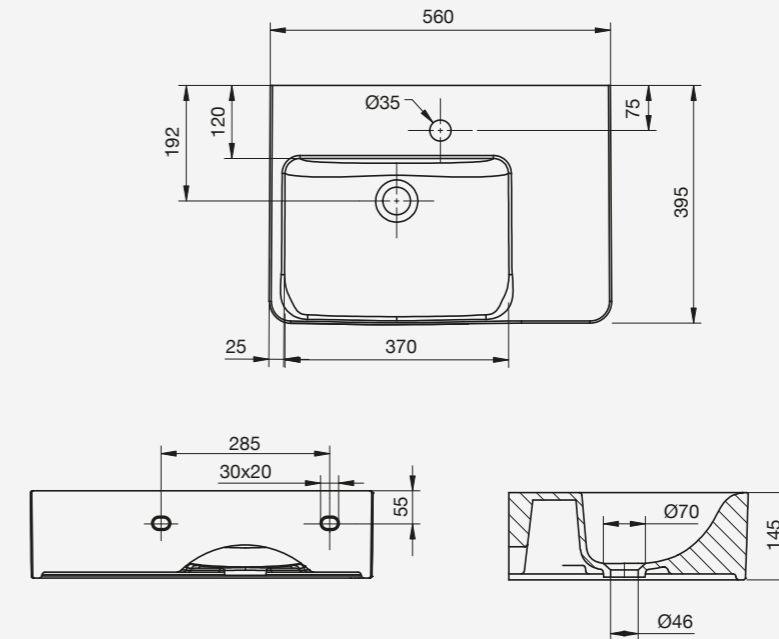


Can be installed to meet requirement

# Wall Basin with Right Hand Shelf

**Product Code: 1851593**

Wall Basin with Right Hand Shelf 560 x 395mm



## Commercial Applications



Aged Care



Education



Hospital and Health Care



Industrial Facilities



Public Places



Sports and Leisure

## Features and Benefits

Curved bowl design to reduce splashing

Integrated right hand shelf

Can be installed to meet requirements of AS1428.1

Offset taphole and waste with no overflow, perfect for hospital applications

Fixing kit included

## Technical Information

<b>Bowl Type</b>	Single
<b>Bowl Configuration</b>	Left Hand Offset
<b>Mounting</b>	Wall Hung
<b>Overflow Configuration</b>	No Overflow
<b>Number of tapholes</b>	1 (Right Hand)
<b>Finish</b>	Gloss

## Technical Information

<b>Material</b>	Vitreous China
<b>Capacity and weight</b>	8L, 17.3kg
<b>Plug and Waste</b>	32 x 40mm (not included)
<b>Product Warranty</b>	5 years commercial use

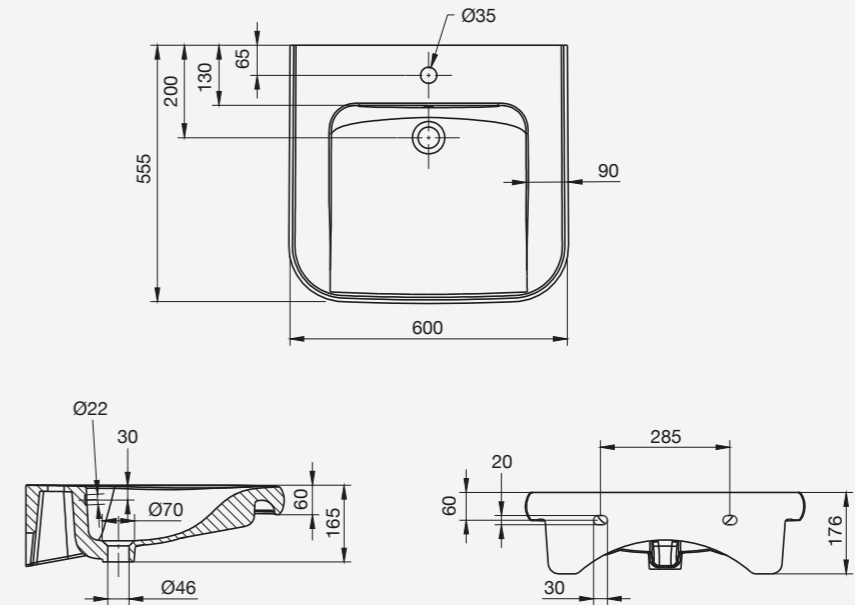


Can be installed to meet requirement

# Wall Basin with Integrated Grab Handle

**Product Code: 1851597**

Wall Basin with Integrated Grab Handle 600 x 555mm



## Commercial Applications



Aged Care



Education



Hospital and Health Care



Industrial Facilities



Public Places



Sports and Leisure

## Features and Benefits

Smooth edge design to reduce splashing

Innovative grab handle incorporated into the under-basin design allows users to easily and efficiently pull themselves comfortably up to the basin

Ideal for domestic and aged care applications

Flat front design helps to provide a seal between the patient and the basin - thus avoiding embarrassing splashes

Ergonomically designed for comfortable arm rest and tap use

Shallow basin depth and fully glazed underside provides comfort for seated users legs

Fixing kit included

## Technical Information

<b>Bowl Type</b>	Single
<b>Bowl Configuration</b>	Centre
<b>Mounting</b>	Wall Hung
<b>Overflow Configuration</b>	Integrated Overflow
<b>Number of tapholes</b>	1 (Centre)
<b>Finish</b>	Gloss

## Technical Information

<b>Material</b>	Vitreous China
<b>Capacity and weight</b>	6L, 17kg
<b>Plug and Waste</b>	32 x 40mm (not included)
<b>Product Warranty</b>	5 years commercial use



Can be installed to meet requirement

# Hand Basins

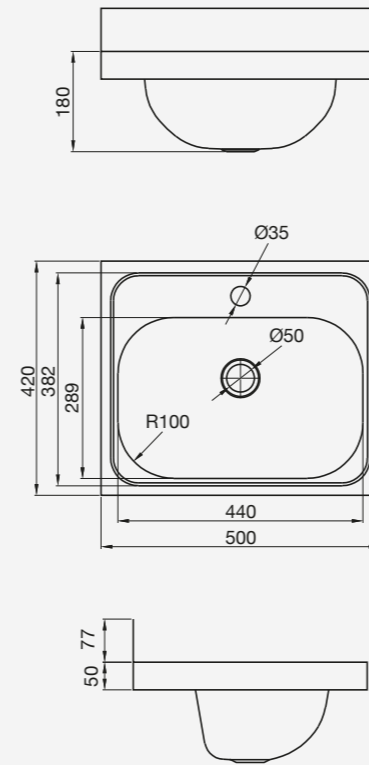
Product Code: 9509887 (Centre Tap Hole),  
 9509888 (No Tap Hole), 9509101 (Right Hand Tap Hole)  
 Stainless Steel Hand Basin and Angled Wall Brackets



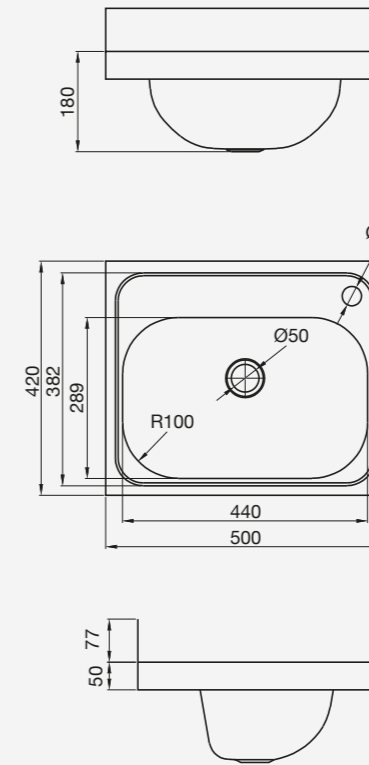
Spare Parts: Note: Mounting Brackets Sold Separately\*



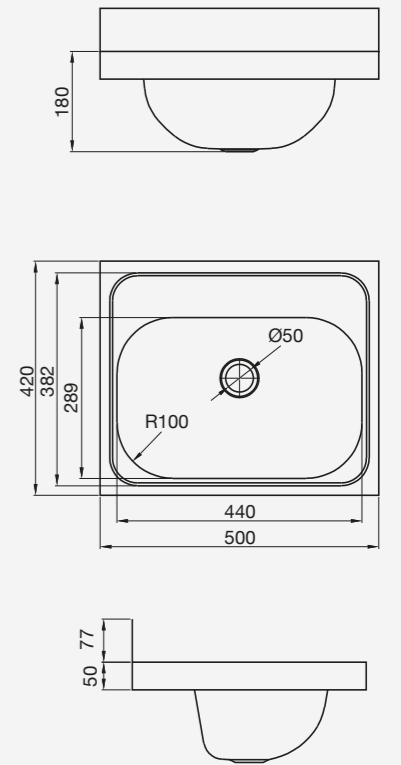
Centre Tap Hole



Right Hand Tap Hole



No Tap Hole



## Commercial Applications



Aged Care



Education



Hospital and Health Care



Public Places



Sports and Leisure

## Features and Benefits

### Features

Strong stainless steel design

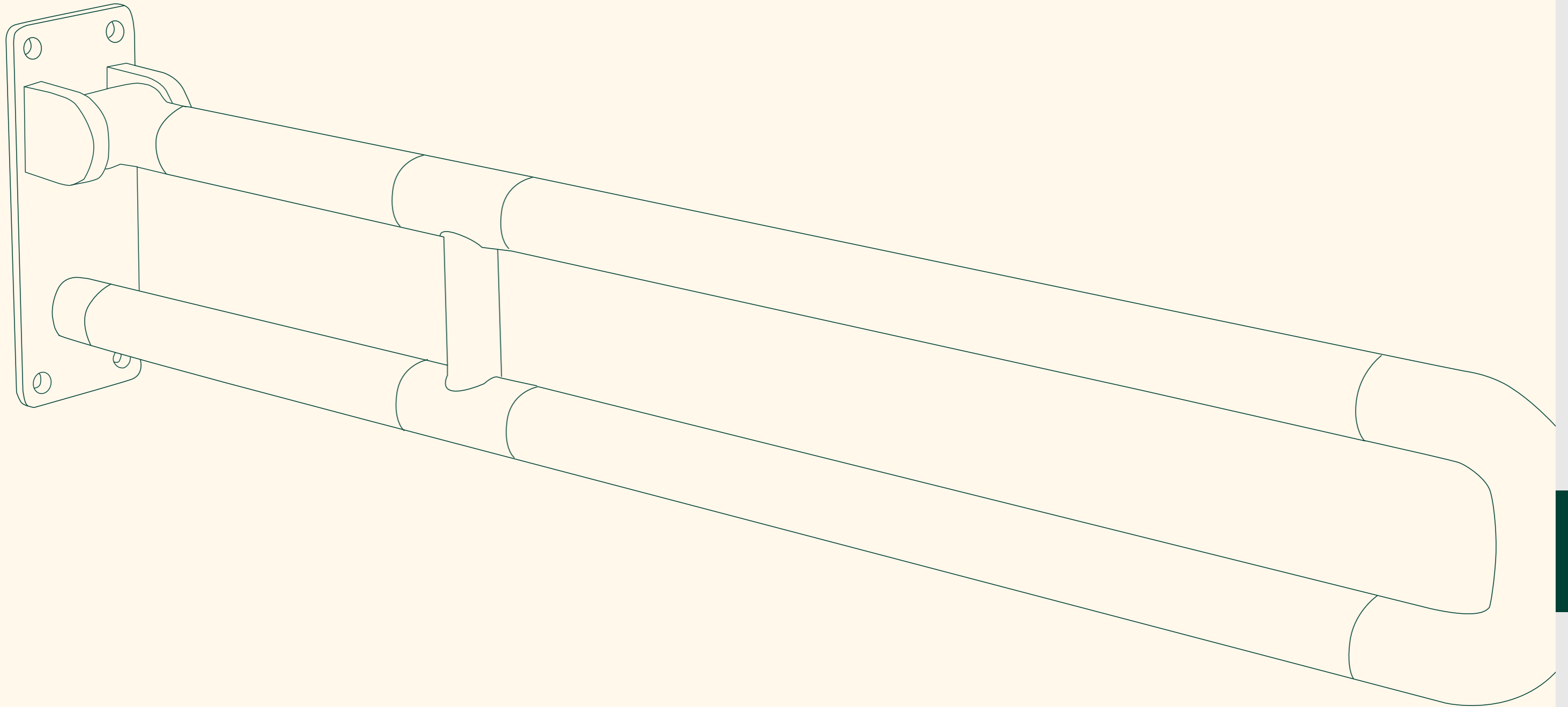
Available in Right, Centre and No Tap Hole Configurations.

## Technical Information

<b>Material</b>	304 Stainless Steel
<b>Thickness/Gauge</b>	1.0 mm
<b>Waste</b>	Suits 40x60 mm Plug and Waste (Not Included)
<b>Wall Brackets*</b>	Angled Wall Brackets to Suit Hand Basin (9509094)

# Wall Mounted Support Arms

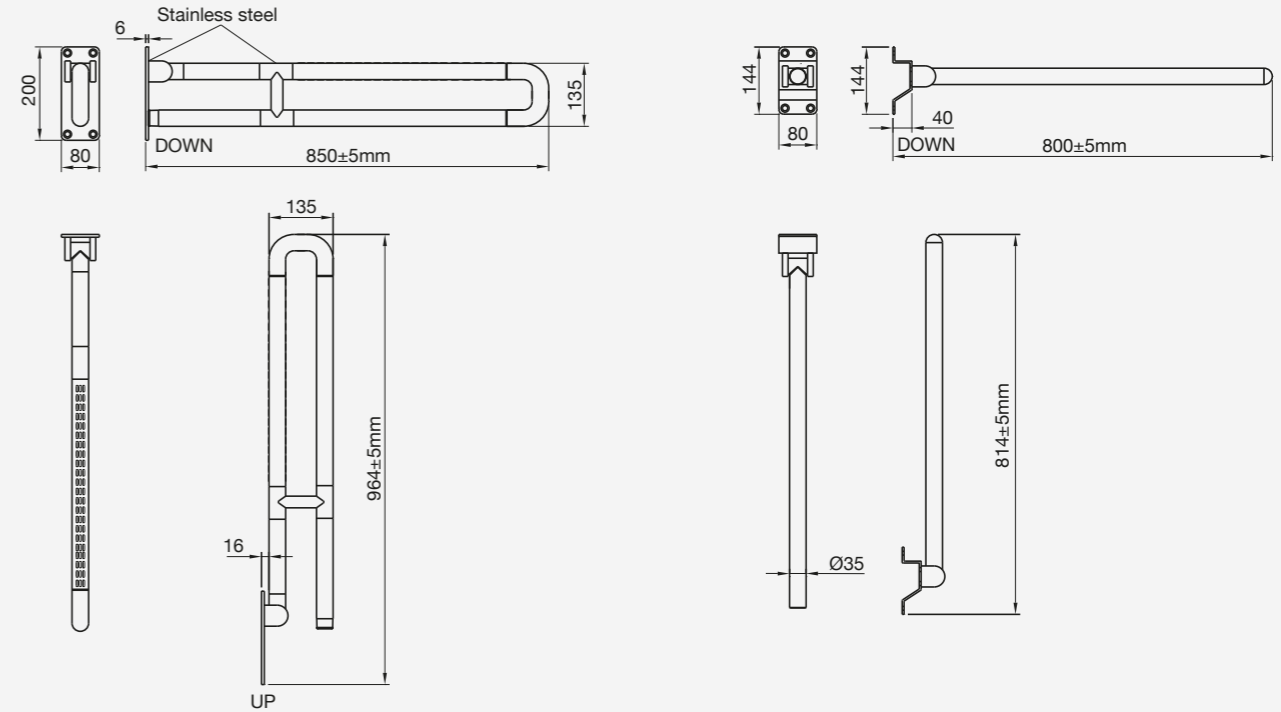
Designed for strength, functionality and convenience, the Wolfen toilet arm range provides the ultimate solution in assisted bathroom support. With both stainless steel and white anti-bacterial options, Wolfen has an option for any assisted living environment.





# Wall Mounted Support Arms

Product Code: 2260105 (White), 2260106 (Stainless Steel)  
 Wolfen Wall Mounted Support Arm



## Commercial Applications



## Features and Benefits

### Comfort and practicality

Fold up to sit flush with wall

Strong and durable

Antibacterial and anti slip wrapping

### Hygiene

2260105 – Antibacterial wrapping

2260106 – Non porous surface

### Compliance

Can be installed to meet requirements of AS1428.1

## Technical Information

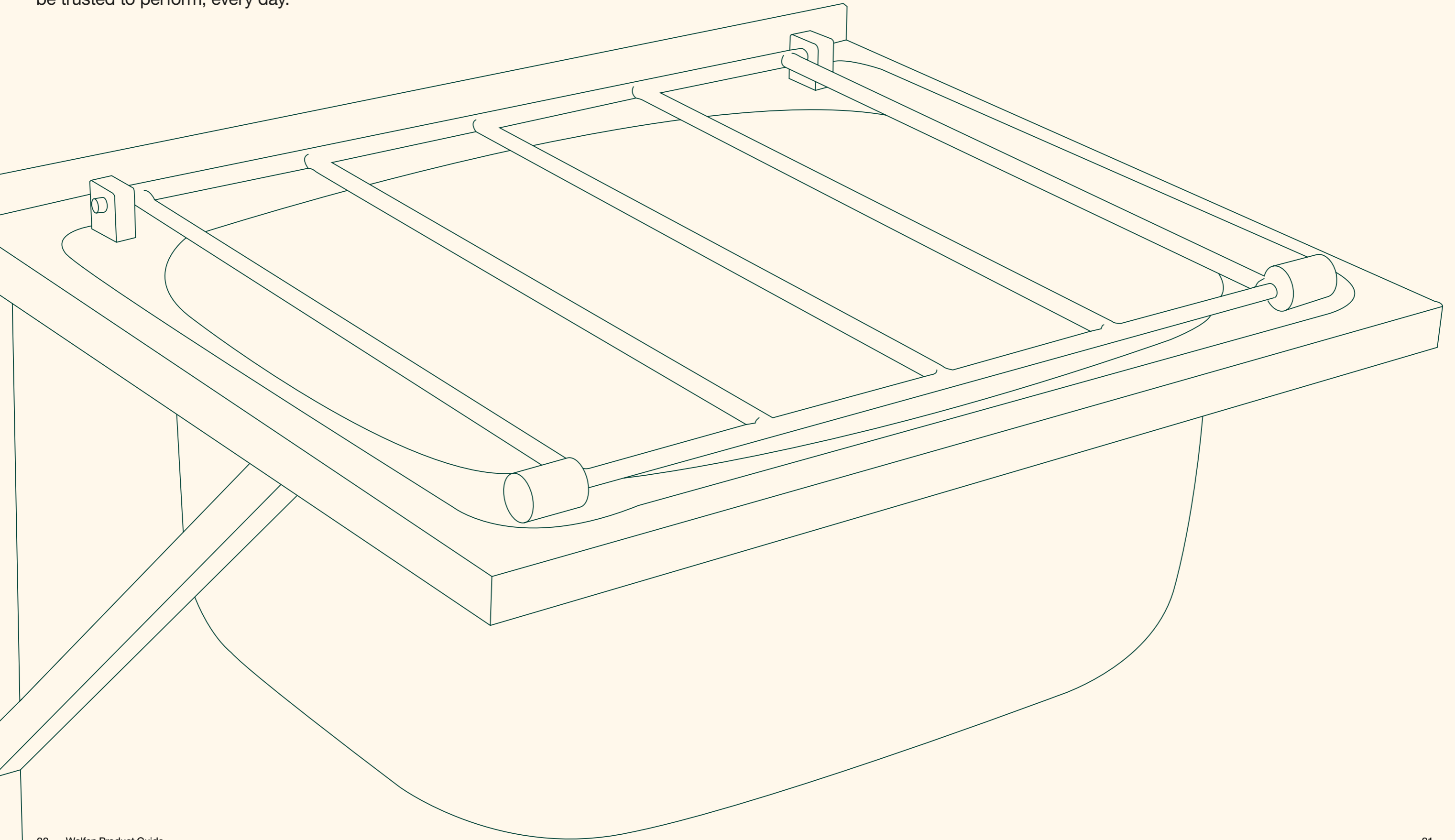
<b>Finish</b>	2260105 – Embossed to assist with anti-slip 2260106 – Polished Stainless Steel
<b>Material</b>	2260105 – White nylon-wrapped aluminium with Stainless Steel mounting. 2260106 – Polished 304 stainless steel
<b>Colour</b>	2260105 – White and Stainless Steel 2260106 – Stainless Steel
<b>Load Rating</b>	Constructed to withstand 1100 N Force (approx.110kg) to AS1428
<b>Warranty</b>	5 years



Can be installed to meet requirement

# Hardware

Wolfen hardware is designed to be strong, reliable and safe. With high grade stainless steel, durable plastics and hard-wearing rubber, you can be assured that the Wolfen products you install today, can be trusted to perform, every day.



# Cleaner's Sink with Grate

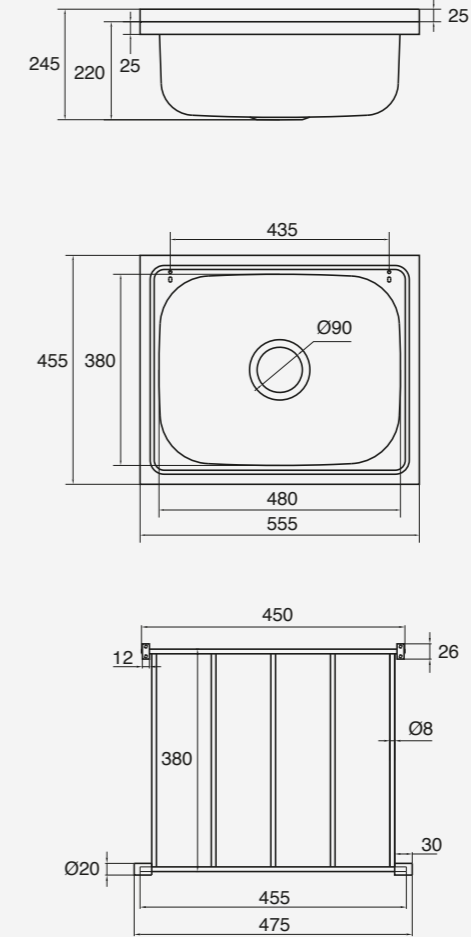
**Product Code: 9506688**  
Stainless Steel Cleaner's Sink

**Product Code: 9506689**  
Wall Brackets to suit Cleaner's Sink

**Product Code: 9506690**  
Floor Brackets to suit Cleaner's Sink



**Spare Parts:** Note: Mounting Brackets Sold Separately\*



## Commercial Applications



Aged Care



Education



Hospital and Health Care



Public Places



Sports and Leisure

## Features and Benefits

### Features

Strong stainless steel design

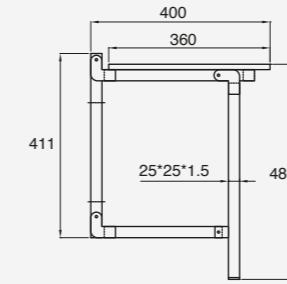
## Technical Information

<b>Material</b>	316 Marine Grade Stainless Steel
<b>Thickness/Gauge</b>	0.8 mm
<b>Waste</b>	Suits 90 mm Waste (Not Included)
<b>Accessories</b>	Includes Heavy-Duty Grate
<b>Wall Brackets*</b>	Wall Brackets to Suit Cleaner's Sink (9506689)
<b>Floor Brackets*</b>	Floor Brackets to Suit Cleaner's Sink (9506690)

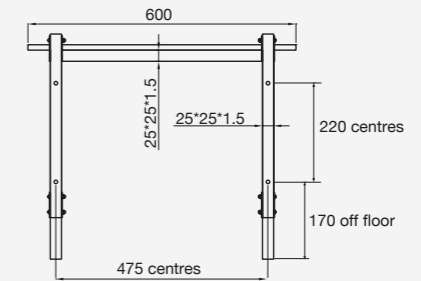


# Folding Shower Seat 600mm

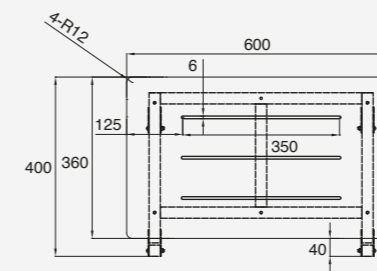
**Product Code: 2260056**  
Folding Shower Seat with Stainless Steel Frame



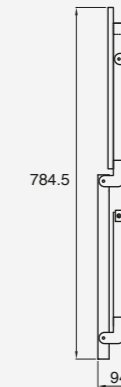
Side view



Front Side view



Top view



Folded view

## Commercial Applications



Aged Care



Hospital and Health Care

## Features and Benefits

### Installation and servicing

Comfortable and durable design

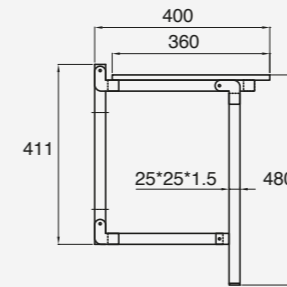
## Technical Information

<b>Colour</b>	Stainless Steel Legs, White Shower Seat
<b>Finish</b>	Brushed Stainless Steel
<b>Material</b>	304 Grade Stainless Steel
	UV Stabilised HDPE Shower Seat
	Coach Screws
<b>Maximum Load Rating</b>	472 kg

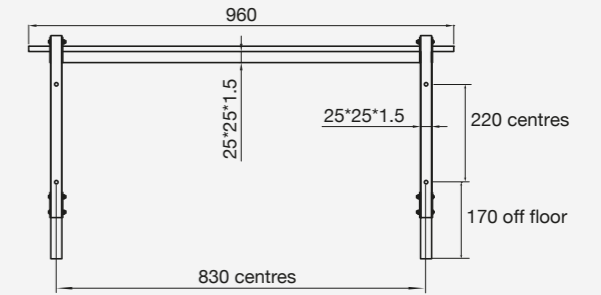


# Folding Shower Seat 960mm

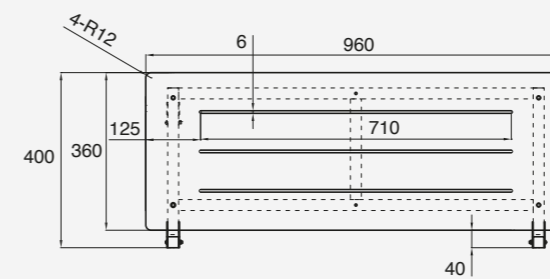
**Product Code: 2260049**  
Folding Shower Seat with Stainless Steel Frame



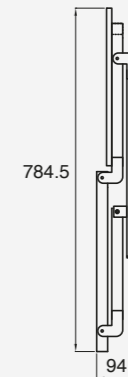
Side view



Front Side view



Top view



Folded view

## Commercial Applications



Aged Care



Hospital and Health Care

## Features and Benefits

### Installation and servicing

The 960 mm model is suitable to create an AS1428.1 compliant bathroom  
Comfortable and durable design

## Technical Information

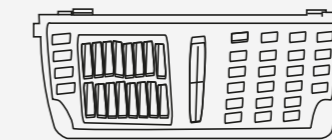
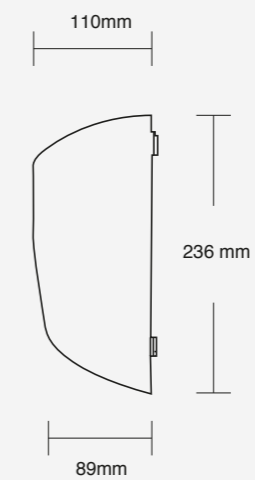
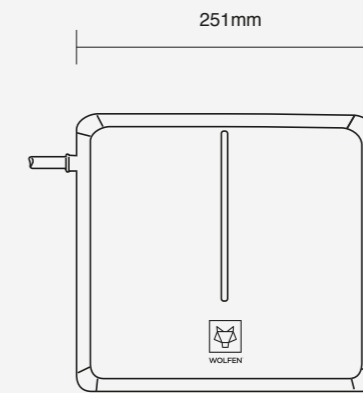
<b>Colour</b>	Stainless Steel Legs, White Shower Seat
<b>Finish</b>	Brushed Stainless Steel
<b>Material</b>	304 Grade Stainless Steel
	UV stabilised HDPE Shower Seat
	Coach Screws
<b>Maximum Load Rating</b>	472 kg



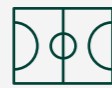
Can be installed to meet requirement

# Slimline Hand Dryer

**Product Code: 2039655**  
Slimline Hand Dryer Stainless Steel steel



## Commercial Applications



Commercial Kitchens

Industrial Facilities

Sport and Leisure Facilities

## Features and Benefits

### Infection control features

- Eliminates need for paper towel receptacle
- No germ catchment area from hand insertion

### Commercial durability features

- Robust stainless steel case
- IP 21 certification

### Usage features

- Infra-red proximity sensor
- Slimline design
- Energy efficient – Turns off after 1 second of non-detection
- 160 m3/hr blowing volume

### Anti-vandal features

- Allen key fixing
- Installation and servicing 3-pin plug and lead attached
- Suits standard power point
- Easy installation template provided application

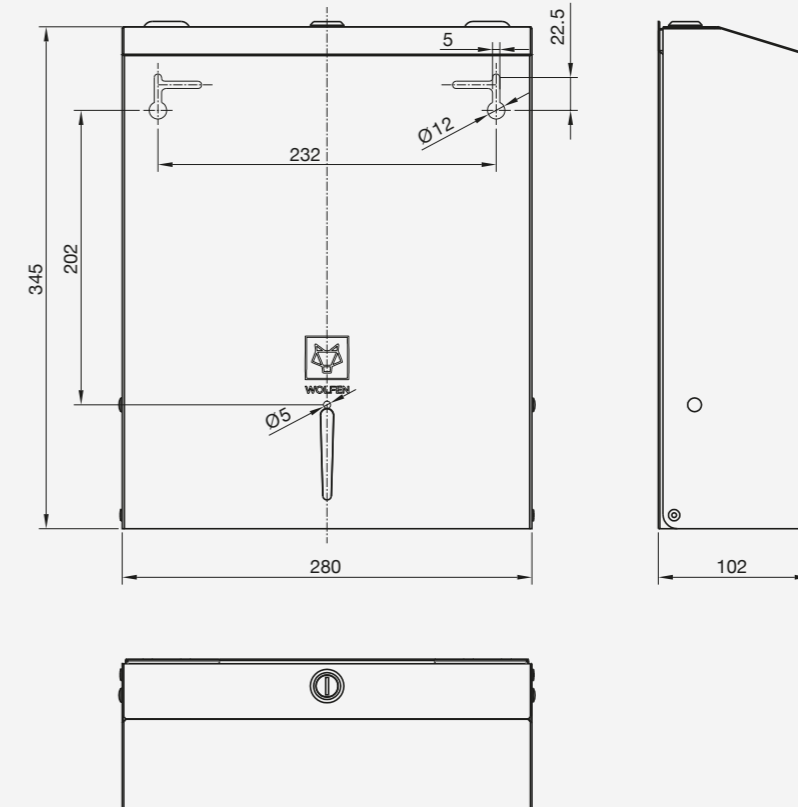
## Technical Information

<b>Electrical Connection</b>	220-240 V 50-60 Hz
<b>Nominal Output</b>	1300 W
<b>Engine Performance</b>	77 W
<b>Casing</b>	Stainless Steel
<b>IP Rating</b>	IP21
<b>Weight</b>	2.9 kg
<b>Blowing Volume</b>	160 m3/h
<b>Air Speed</b>	17 m/s
<b>Sound Data</b>	Sound Pressure Level at 2m Distance in a Free field 73 dB(A)



# Paper Towel Dispenser

Product Code: 2263886  
Paper Towel Dispenser S/S



## Commercial Applications



Commercial Kitchens



Education



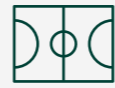
Hospital and Health Care



Industrial Facilities



Public Places



Sport and Leisure Facilities

## Features and Benefits

### Hygiene

Fingerprint resistant coating

### Usage features

Fill level indicator

Robust stainless steel construction

Universal key used across all Wolfen accessories

### Installation features

Can be installed to meet AS1428.1 requirements

## Technical Information

<b>Material</b>	304 stainless steel
<b>Dimensions</b>	Height: 345 mm Total length: 280 mm
<b>Fixing point distance</b>	232 mm x 208 mm
<b>Number of fixings</b>	3
<b>Projection</b>	102 mm
<b>Weight</b>	1.76kg
<b>Colour</b>	Satin stainless steel
<b>Finish</b>	Fingerprint resistant Coated
<b>Product warranty</b>	5 years

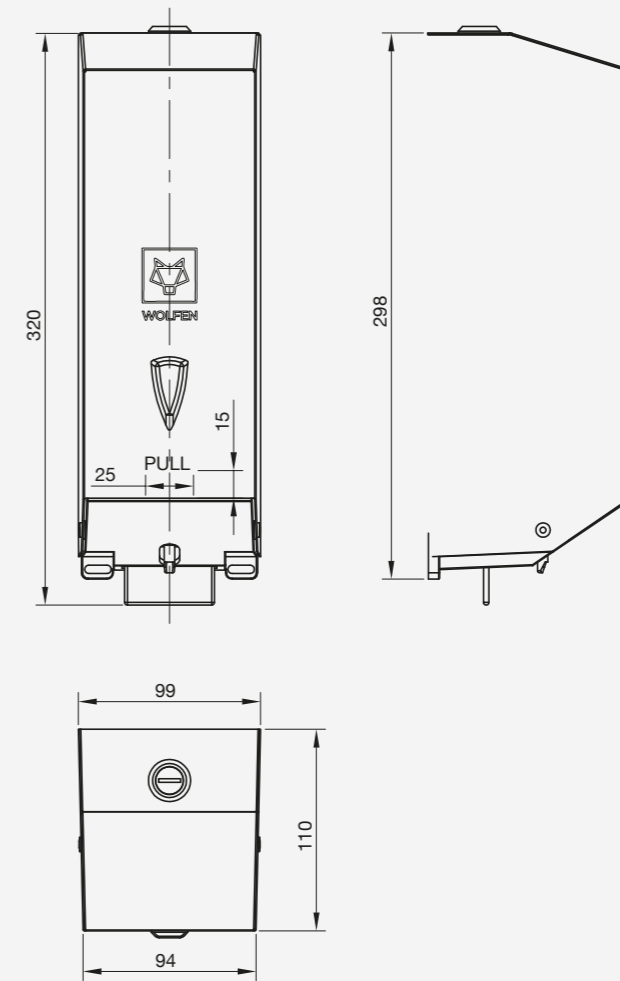


Can be installed to meet requirement



# Soap Dispenser

**Product Code: 2263888**  
Soap Dispenser S/S



## Commercial Applications



Commercial Kitchens



Education



Hospital and Health Care



Industrial Facilities



Public Places



Sport and Leisure Facilities

## Features and Benefits

### Hygiene

Fingerprint resistant coating

### Usage features

Fill level indicator

Robust stainless steel construction

Universal key used across all Wolfen accessories

Single hand operation

### Installation features

Can be installed to meet AS1428.1 requirements

## Technical Information

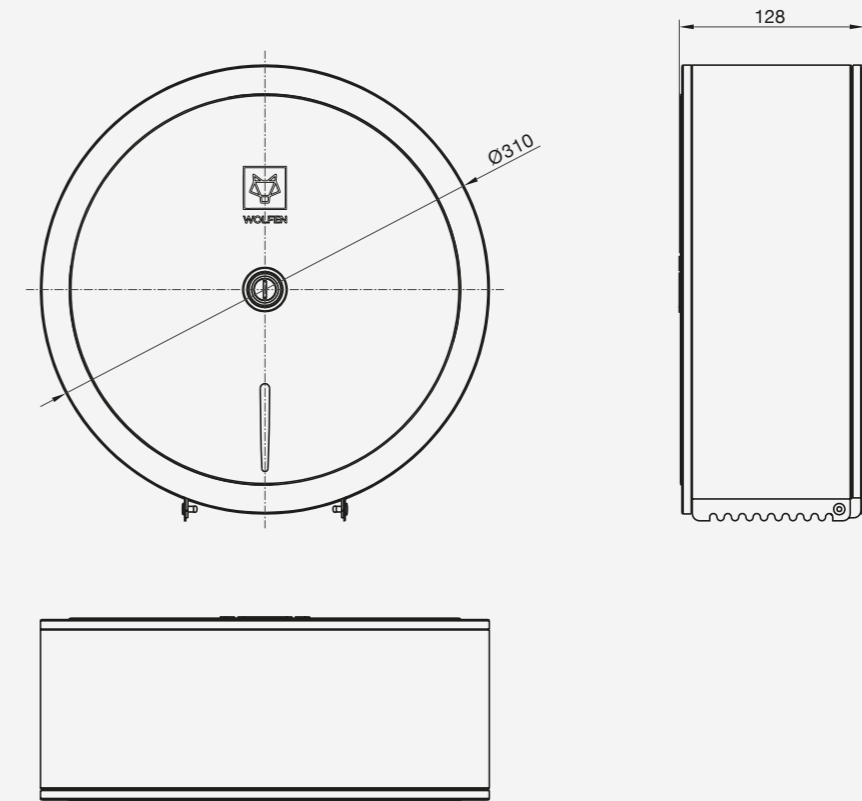
<b>Material</b>	304 stainless steel
<b>Dimensions</b>	Height: 320 mm Total length: 100 mm
<b>Fixing point distance</b>	78.5 mm x 261.5 mm
<b>Number of fixings</b>	3
<b>Projection</b>	111 mm
<b>Weight</b>	0.93 kg
<b>Colour</b>	Satin stainless steel
<b>Finish</b>	Fingerprint resistant Coated
<b>Product warranty</b>	5 years



Can be installed to meet requirement

# Jumbo Toilet Paper Dispenser

**Product Code: 2263887**  
Jumbo Toilet Paper Dispenser S/S



## Commercial Applications



Commercial Kitchens



Education



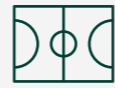
Hospital and Health Care



Industrial Facilities



Public Places



Sport and Leisure Facilities

## Features and Benefits

### Hygiene

Fingerprint resistant coating

### Usage features

Fill level indicator

Robust stainless steel construction

Universal key used across all Wolfen accessories

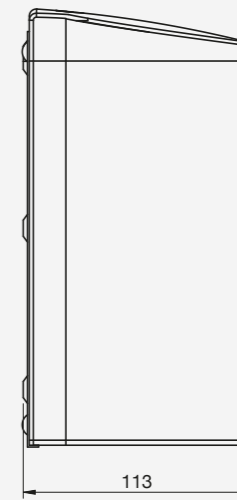
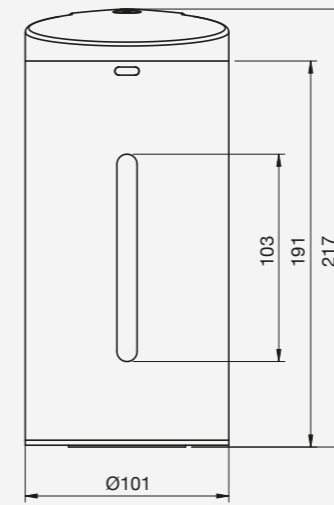
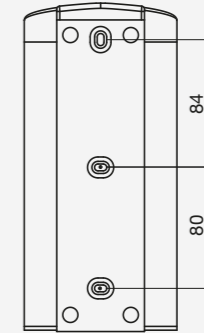
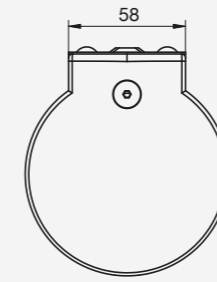
## Technical Information

<b>Material</b>	304 stainless steel
<b>Dimensions</b>	Height: 260 mm Total length: 260 mm
<b>Fixing point distance</b>	173.2 mm x 150 mm
<b>Number of fixings</b>	3
<b>Projection</b>	125 mm
<b>Weight</b>	1.24 kg
<b>Colour</b>	Satin stainless steel
<b>Finish</b>	Fingerprint resistant Coated
<b>Product warranty</b>	5 years



# Sensor Soap Dispenser

**Product Code: 9510049**  
Wall Mount Sensor Soap Dispenser



## Commercial Applications



Commercial Kitchens



Education



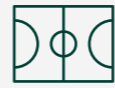
Hospital and Health Care



Industrial Facilities



Public Places



Sport and Leisure Facilities

## Features and Benefits

### Usage features

- \_\_\_\_\_ Sensor operated
- \_\_\_\_\_ Fill level indicator
- \_\_\_\_\_ Adjustable dosage level
- \_\_\_\_\_ Durable brushed stainless steel construction

## Technical Information

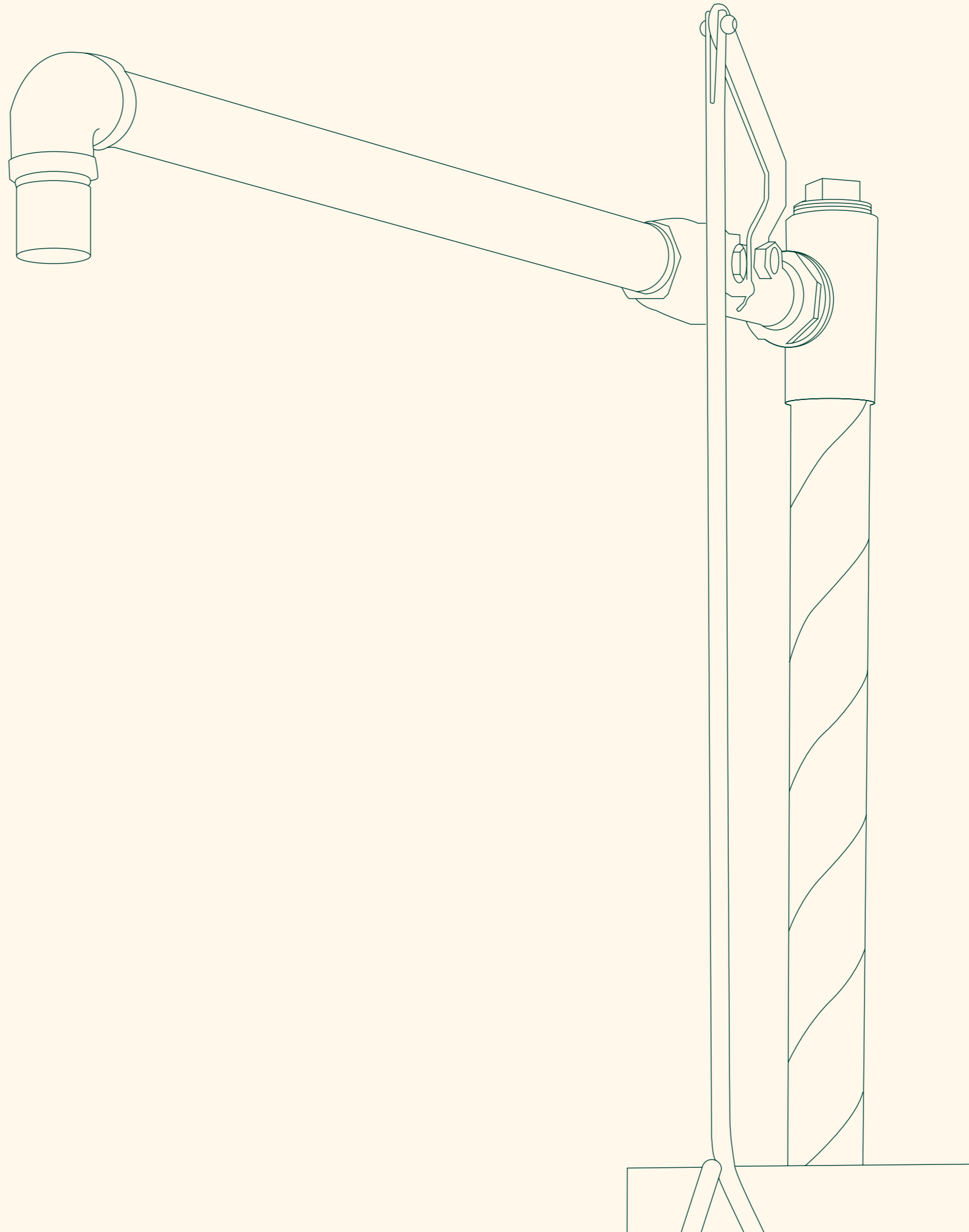
<b>Material</b>	304 stainless steel
<b>Weight</b>	1.3kg
<b>Number of fixings</b>	3
<b>Capacity</b>	650ml
<b>Power</b>	Battery Operated
<b>Product Warranty</b>	5 years commercial use



Can be installed to meet requirement

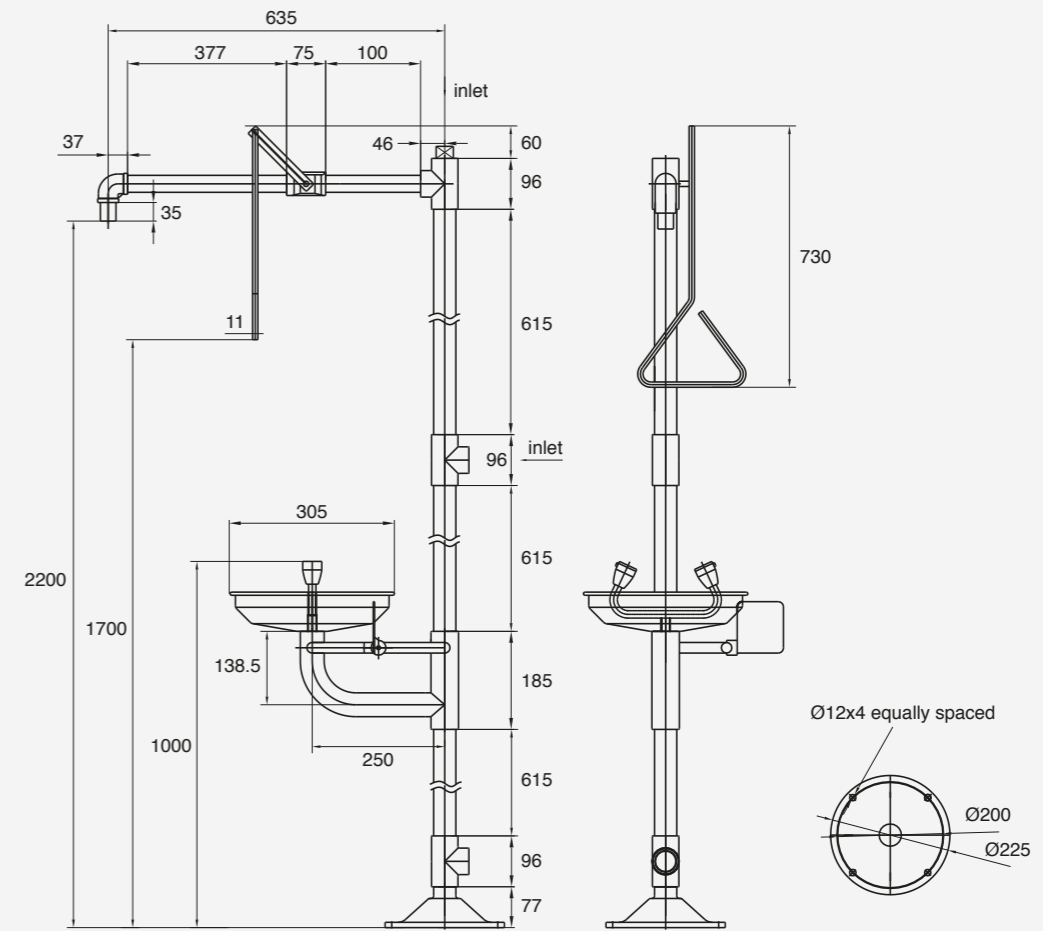
# Safety Equipment

Built for total reliability, Wolfen safety equipment is made to withstand the toughest of environments and perform quickly and effectively to reduce injury. Each piece of equipment undergoes rigorous testing to meet the highest of standards.



# Freestanding Safety Shower with Eye Wash

**Product Code: 9508311**  
Freestanding Safety Shower & Eye Wash



## Commercial Applications



Commercial Kitchens    Education    Hospital and Health Care    Industrial Facilities

## Features and Benefits

### Commercial durability features

Tested and compliant with AS4775, ANSI and AS4020 only product with type 5 certificate  
Compact packing, stainless steel 304

### Installation and servicing

Dynabolts provided for mounting on the floor  
Top or rear entry inlet optional  
Supplied disassembled to minimize transport damage  
Teflon tape provided  
Safety sign included

### Usage features

Adjustable flow eyewash  
Cyclonic shower  
Aesthetically pleasing

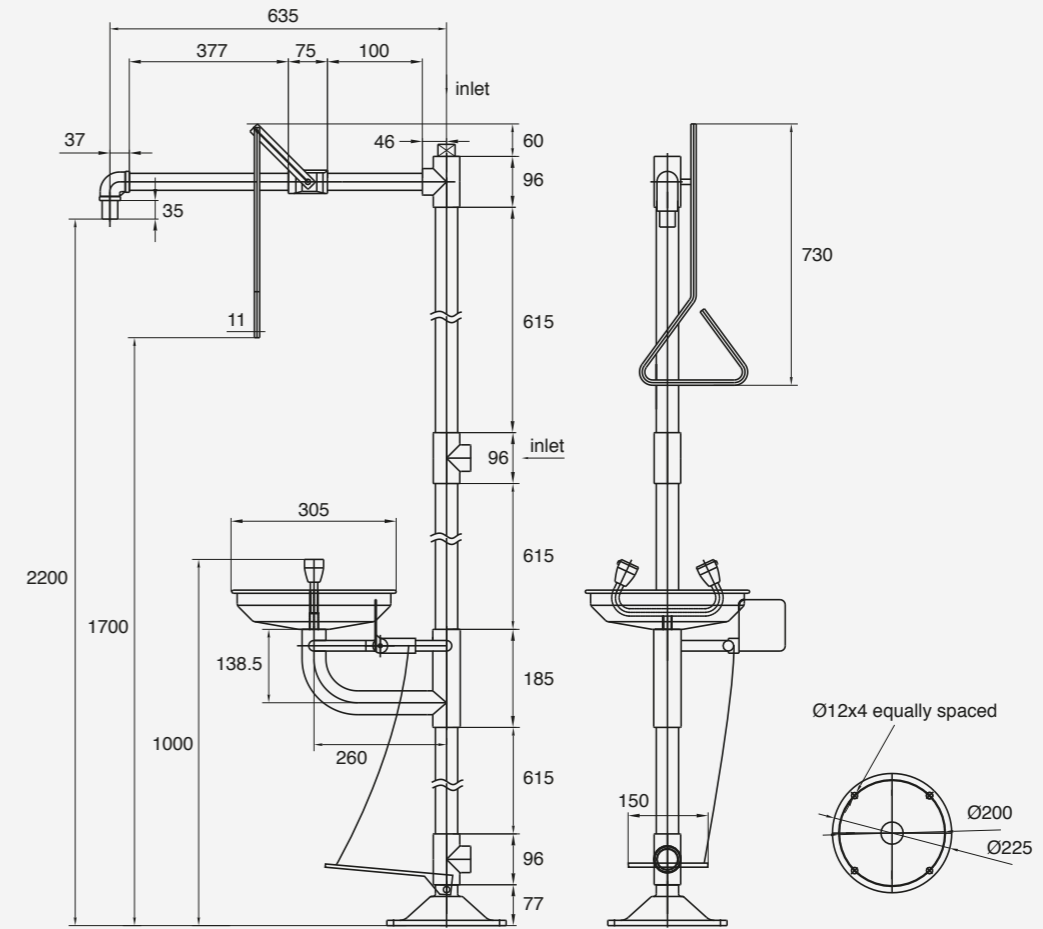
## Technical Information

<b>Colour</b>	Chrome Finish
<b>Finish</b>	Polished
<b>Material</b>	Stainless Steel
<b>Cartridge Type</b>	Ceramic Disc / Ball Valve
<b>Min Continuous Working Pressure</b>	250 kPa
<b>Max Continuous Working Pressure</b>	500 kPa
<b>Maximum Max Static Pressure</b>	500 kPa
<b>Min Continuous Working Temperature</b>	16 °C



# Freestanding Safety Shower with Eye Wash and Pedal

**Product Code: 9508312**  
Freestanding Safety Shower with Eye Wash and Pedal



## Commercial Applications



Commercial Kitchens



Education



Hospital and Health Care



Industrial Facilities

## Features and Benefits

### Commercial durability features

Tested and compliant with AS4775, ANSI and AS4020 only product with type 5 certificate

Compact packing, stainless steel 304

### Installation and servicing

Dynabolts provided for mounting on the floor

Top or rear entry inlet optional

Supplied disassembled to minimize transport damage

Teflon tape provided

Safety sign included

### Usage features

Adjustable flow eyewash

Cyclonic shower

Aesthetically pleasing

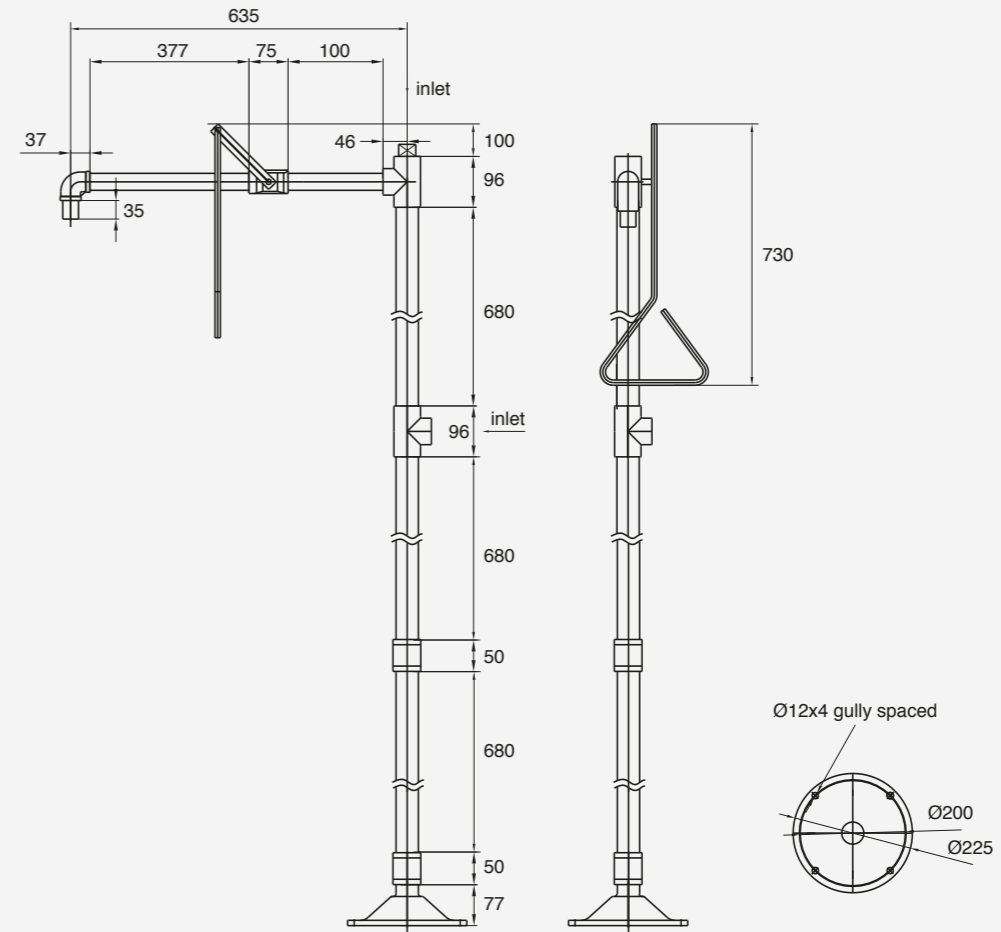
## Technical Information

<b>Colour</b>	Chrome Finish
<b>Finish</b>	Polished
<b>Material</b>	Stainless Steel
<b>Cartridge Type</b>	Ceramic Disc / Ball Valve
<b>Min Continuous Working Pressure</b>	250 kPa
<b>Max Continuous Working Pressure</b>	500 kPa
<b>Maximum Max Static Pressure</b>	500 kPa
<b>Min Continuous Working Temperature</b>	16 °C



# Freestanding Safety Shower

**Product Code: 9508318**  
Freestanding Safety Shower



## Commercial Applications



Commercial Kitchens



Education



Hospital and Health Care



Industrial Facilities

## Features and Benefits

### Commercial durability features

Tested and compliant with AS4775, ANSI and AS4020 only product with type 5 certificate

Compact packing, stainless steel 304

### Installation and servicing

Dynabolts provided for mounting on the floor

Top or rear entry inlet optional

Supplied disassembled to minimize transport damage

Teflon tape provided

Safety sign included

### Usage features

Cyclonic shower

Aesthetically pleasing

## Technical Information

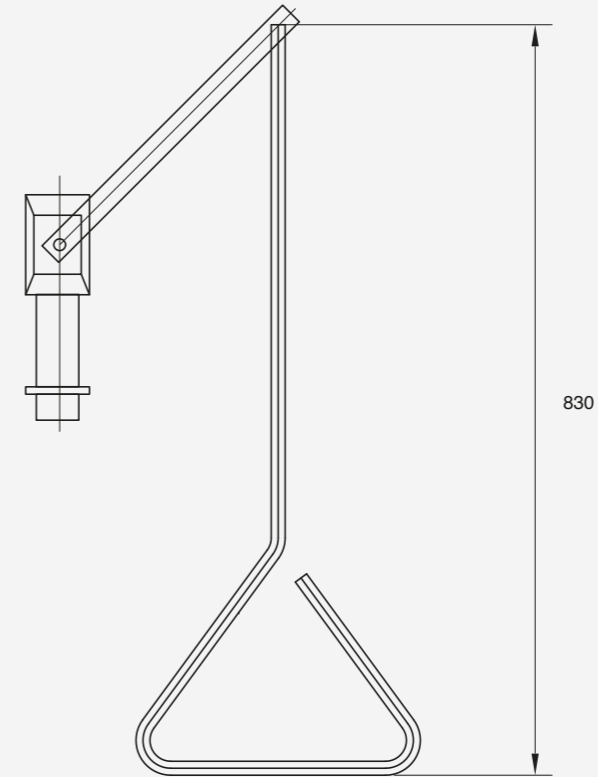
<b>Colour</b>	Chrome Finish
<b>Finish</b>	Polished
<b>Material</b>	Stainless Steel
<b>Cartridge Type</b>	Ceramic Disc / Ball Valve
<b>Min Continuous Working Pressure</b>	250 kPa
<b>Max Continuous Working Pressure</b>	500 kPa
<b>Maximum Max Static Pressure</b>	500 kPa
<b>Min Continuous Working Temperature</b>	16 °C





# Ceiling Mounted Safety Drench Shower

**Product Code: 9508317**  
Ceiling Mounted Hand Operated Safety Shower



## Commercial Applications



Commercial Kitchens

Education

Hospital and Health Care

Industrial Facilities

## Features and Benefits

### Commercial durability features

Tested and compliant with AS4775, ANSI and AS4020 only product with type 5 certificate

Compact packing, stainless steel 304

### Installation and servicing

Dynabolts provided for mounting

Top or rear entry inlet optional

Supplied disassembled to minimize transport damage

Teflon tape provided

Safety sign included

### Usage features

Cyclonic shower

Aesthetically pleasing

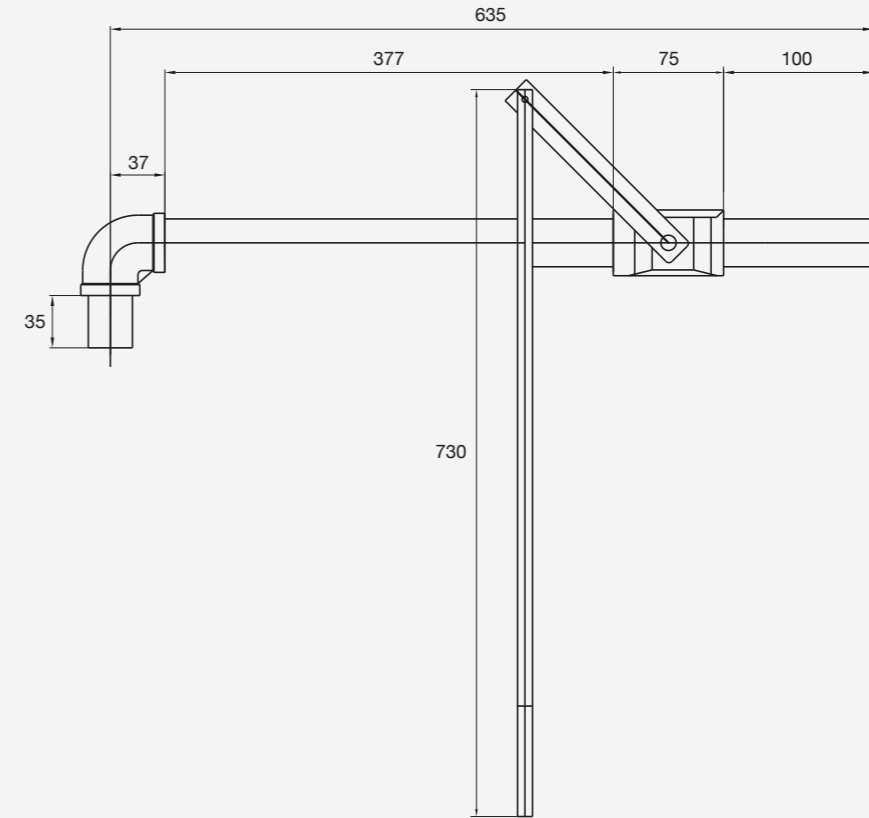
## Technical Information

<b>Colour</b>	Chrome Finish
<b>Finish</b>	Polished
<b>Material</b>	Stainless Steel
<b>Cartridge Type</b>	Ceramic Disc / Ball Valve
<b>Min Continuous Working Pressure</b>	250 kPa
<b>Max Continuous Working Pressure</b>	500 kPa
<b>Maximum Max Static Pressure</b>	500 kPa
<b>Min Continuous Working Temperature</b>	16 °C



# Wall Mounted Safety Drench Shower

**Product Code: 9508316**  
Wall Mounted Hand Operated Safety Shower



## Commercial Applications



Commercial Kitchens

Education

Hospital and Health Care

Industrial Facilities

## Features and Benefits

### Commercial durability features

Tested and compliant with AS4775, ANSI and AS4020 only product with type 5 certificate

Compact packing, stainless steel 304

### Installation and servicing

Dynabolts provided for mounting

Top or rear entry inlet optional

Supplied disassembled to minimize transport damage

Teflon tape provided

Safety sign included

### Usage features

Cyclonic shower

Aesthetically pleasing

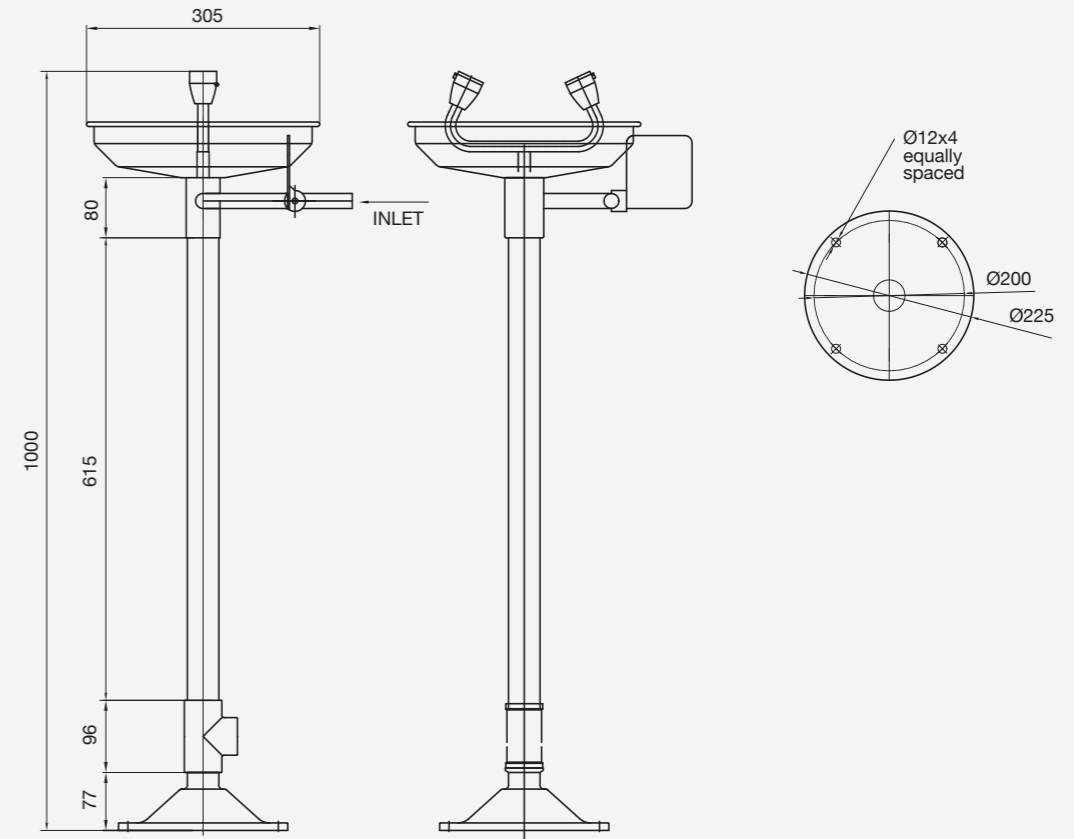
## Technical Information

<b>Colour</b>	Chrome Finish
<b>Finish</b>	Polished
<b>Material</b>	Stainless Steel
<b>Cartridge Type</b>	Ceramic Disc / Ball Valve
<b>Min Continuous Working Pressure</b>	250 kPa
<b>Max Continuous Working Pressure</b>	500 kPa
<b>Maximum Max Static Pressure</b>	500 kPa
<b>Min Continuous Working Temperature</b>	16 °C



# Free Standing Eye Wash

Product Code: 9508313  
Freestanding Eye Wash



## Commercial Applications



Commercial Kitchens



Education



Hospital and Health Care



Industrial Facilities

## Features and Benefits

Tested and compliant with AS4775, ANSI and AS4020 only product with type 5 certificate

Adjustable flow eyewash

### Installation and servicing

Dynabolts provided for mounting

Top or rear entry inlet optional

Supplied disassembled to minimize transport damage

Teflon tape provided

Safety sign included

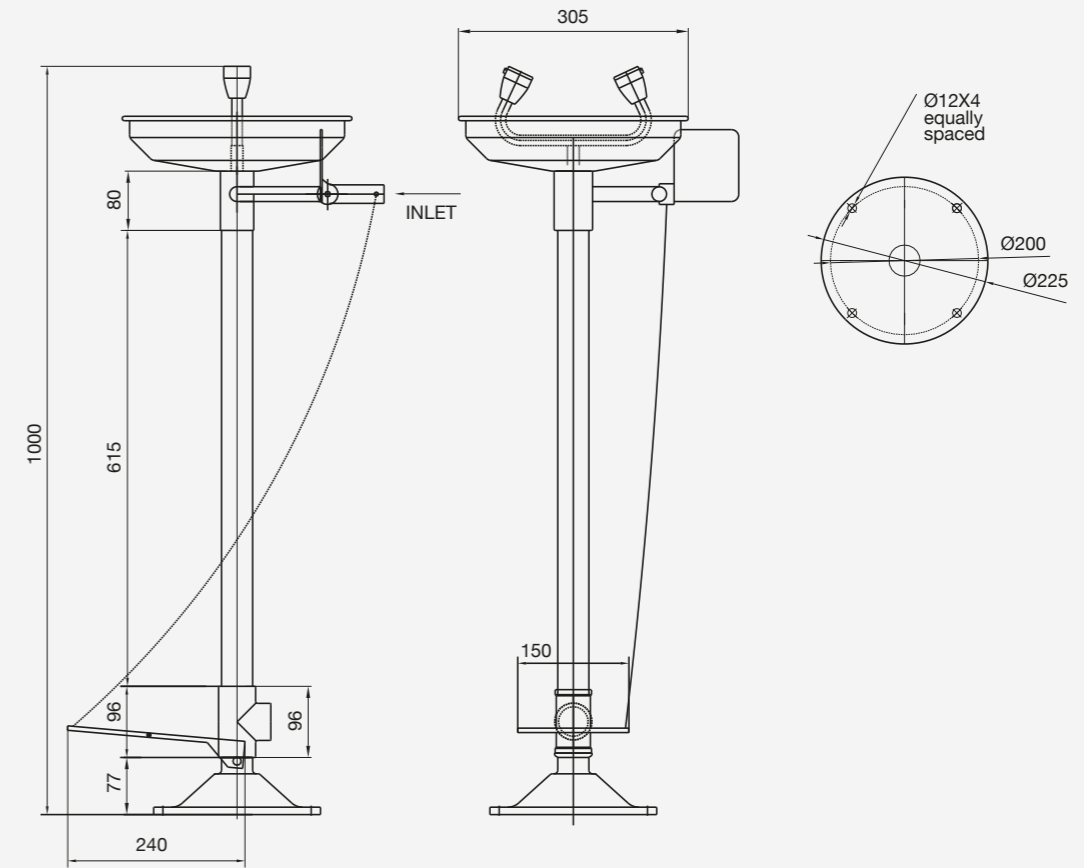
## Technical Information

<b>Material</b>	304 stainless steel
<b>Cartridge type</b>	Ceramic disc/ball valve
<b>Min Continuous working pressure</b>	>250 kPa
<b>Max Continuous working pressure</b>	<500 kPa
<b>Min continuous working temperature</b>	Ambient water
<b>Max continuous working temperature</b>	Reference AS4775
<b>Max static pressure</b>	500 kPa
<b>Height</b>	1000 mm
<b>Clearance</b>	9508313: 1500M 9508314: N/A
<b>Finish</b>	Polished stainless steel
<b>Product warranty</b>	5 years



# Free Standing Eye Wash with Foot Pedal

**Product Code: 9508314**  
Freestanding Eye Wash with Foot Pedal



## Commercial Applications



Commercial Kitchens



Education



Hospital and Health Care



Industrial Facilities

## Features and Benefits

Tested and compliant with AS4775, ANSI and AS4020 only product with type 5 certificate

Adjustable flow eyewash

### Installation and servicing

Dynabolts provided for mounting

Top or rear entry inlet optional

Supplied disassembled to minimize transport damage

Teflon tape provided

Safety sign included

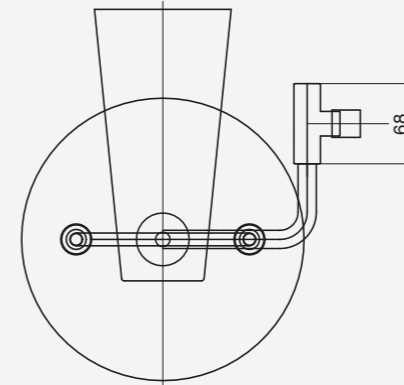
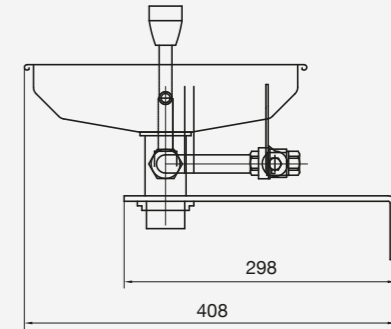
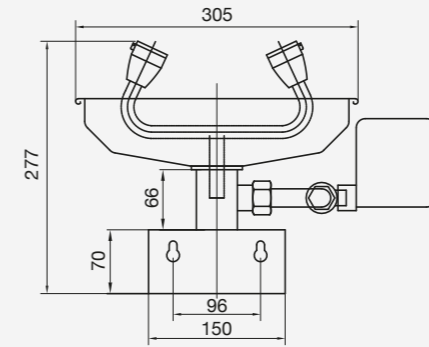
## Technical Information

<b>Material</b>	304 stainless steel
<b>Cartridge type</b>	Ceramic disc/ball valve
<b>Min Continuous working pressure</b>	>250 kPa
<b>Max Continuous working pressure</b>	<500 kPa
<b>Min continuous working temperature</b>	Ambient water
<b>Max continuous working temperature</b>	Reference AS4775
<b>Max static pressure</b>	500 kPa
<b>Height</b>	1000 mm
<b>Clearance</b>	9508313: 1500M 9508314: N/A
<b>Finish</b>	Polished stainless steel
<b>Product warranty</b>	5 years



# Wall Mounted Eye Wash

Product Code: 9508315  
Wall Mounted Eye Wash



## Commercial Applications



Commercial Kitchens



Education



Hospital and Health Care



Industrial Facilities

## Features and Benefits

Tested and compliant with AS4775, ANSI and AS4020 only product with type 5 certificate

Adjustable flow eyewash

### Installation and servicing

Dynabolts provided for mounting

Top or rear entry inlet optional

Supplied disassembled to minimize transport damage

Teflon tape provided

Safety sign included

## Technical Information

<b>Material</b>	304 stainless steel
<b>Cartridge type</b>	Ceramic disc/ball valve
<b>Min Continuous working pressure</b>	>250 kPa
<b>Max Continuous working pressure</b>	<500 kPa
<b>Min continuous working temperature</b>	Ambient water
<b>Max continuous working temperature</b>	Reference AS4775
<b>Max static pressure</b>	500 kPa
<b>Finish</b>	Polished stainless steel
<b>Product warranty</b>	5 years



# Reece Product Quality Guarantee

You have purchased a quality product from Reece Australia Pty Ltd ABN 84 004 097 090 (“Reece”). This product is covered by a 5 year replacement product warranty and a 12 month warranty over spare parts and labour.

## 5 Year Warranty

This warranty covers faults in the product construction, material and assembly. Products which are within 5 years from the date of purchase, found upon inspection by an authorised Reece representative, to be defective in construction, material or assembly, will be repaired or exchanged with an equivalent product free of charge. Replaced items become Reece’s property.

All replacement products will be available for collection without charge to the customer at the nearest Reece branch to the customer’s location, or elsewhere as agreed between the customer and Reece.

## Labour and Spare Parts

The labour for the replacement of products and spare parts to which this warranty applies will be supplied by Reece or relevant supplier using licensed plumbers engaged by Reece or relevant supplier within 1 year from the date of purchase. Spare parts other than those listed in the Manufacturer’s Provisions above, which are within 1 year from the date of purchase found upon inspection by an authorised Reece representative to be defective in construction, material or assembly, will be replaced free of charge.

## Warranty Conditions

This warranty will apply only under all of the following conditions:

The item has been installed by a licensed plumber

Failure is due to a fault in the manufacture of the product

Proof of purchase (including the date of purchase) is provided

The installation of the product is in accordance with the instructions provided

This warranty does not cover products purchased as an ex-display without being fully checked and tested for sale by the manufacturer.

This warranty does not include faults caused by:

Unsuitable or improper use

Incorrect installation or installation not in accordance with the instructions provided

Installation or part installation by the purchaser or any person other than a LICENSED PLUMBER

Normal wear and tear

Inadequate or complete lack of maintenance

Chemical, electrochemical or electrical influences

Harsh detergents or abrasive cleaners used on product finishes

## Exclusions

To the fullest extent permitted by law, Reece excludes all liability for damage or injury to any person, damage to any property, and any indirect consequential or other loss or damage.

## Claim Procedure

For all warranty queries customers are to contact the branch where the product was purchased. These details can be found on your purchase invoice.

Our goods come with guarantees that cannot be excluded under the Australian Consumer Law. You are entitled to a replacement or refund for a major failure and for compensation for any other reasonably foreseeable loss or damage. You are also entitled to have the goods repaired or replaced if the goods fail to be of acceptable quality and the failure does not amount to a major failure.





## Reece. Works for you.™

Call **1800 032 566** or visit **www.reece.com.au** for your nearest Reece store.

Due to limitations in the printing process the colours in this brochure are a guide only.

The manufacturer/distributor reserves the right to vary specifications or delete models from their range without prior notification.

The manufacturer/distributor takes no responsibility for printing errors. All products enjoy a product replacement warranty.

For full warranty details visit [www.reece.com.au/productquality](http://www.reece.com.au/productquality)

V7 [BROCHURE CODE 2131811]

