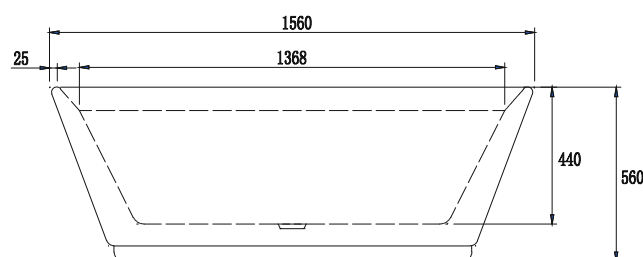
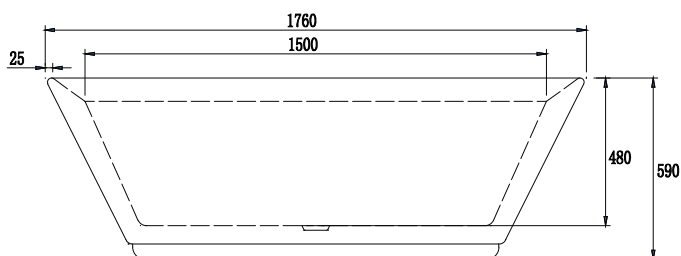
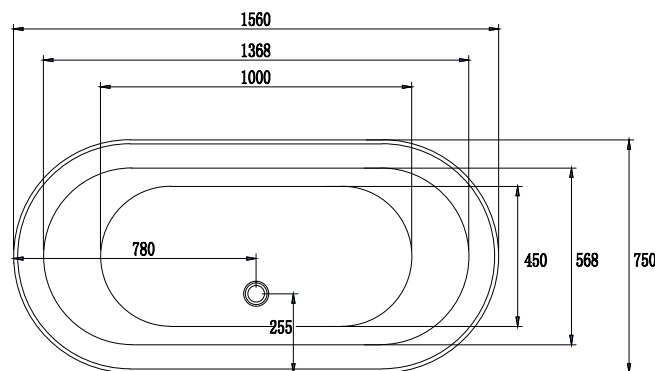
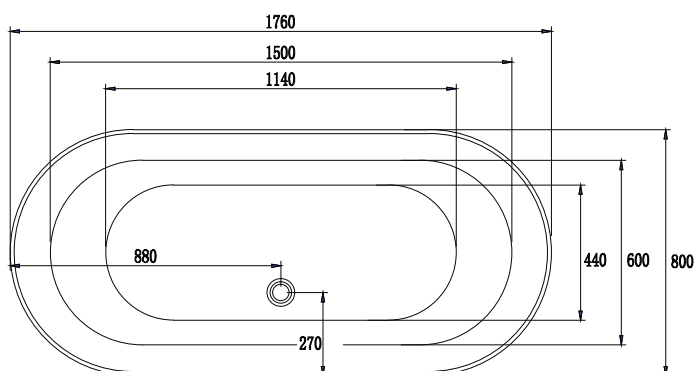


# BASE

## FREESTANDING BATH



### SPECIFICATIONS

<b>Recommended use</b>	Domestic, hotel and commercial
<b>Material</b>	Sanitary grade acrylic
<b>Fixing</b>	Silicone to floor
<b>Overflow</b>	No
<b>Installation</b>	Freestanding
<b>Plug and Waste</b>	Suits 40mm Non Overflow Waste
<b>Colour Availability</b>	White
<b>Capacity</b>	1760mm - 250L 1560mm - 200L



To see the complete BASE range go to [www.reece.com.au/bathrooms](http://www.reece.com.au/bathrooms)

### CLEANING RECOMMENDATIONS

We recommend the use of soapy water or approved bathroom cleaners.

This bathroom product should not be cleaned with abrasive materials.

Damage caused by any improper treatment is not covered by the product warranty - refer to Warranty Conditions.

**Disclaimer:** Products in this specification manual must by regulation be installed by licensed and registered trade people. The manufacturer/distributor reserves the right to vary specifications or delete models from their range without prior notification. Dimensions are nominal measurements only. Dimensions and set-outs listed are correct at time of publication however the manufacturer/distributor takes no responsibility for printing errors.

Tech Page Version 3

base

reece

# BASE

## FREESTANDING BATH

### INSTALLATION

#### Note

Please check the surface thoroughly before installing. Installation of bath will be taken as acceptance of product. It is important to install the product in accordance with the installation instructions below.

This installation guide does not include details of waste connection; final decision about installation of waste connection should be taken by a suitably qualified person in accordance with standard installation practice AS/NZS 3500.

1. Install waste pipe and trap - taking into consideration the waste position of the bath. Make sure that the surface where the bathtub will be placed is perfectly flat, clean, free of any excess humidity and offers adequate support.
2. The bath should be supported by the legs, not by the rim. Adjust the feet to level and support bath from base.
3. For installation where access is restricted eg slab floor, or second story floor, the use of a Plumbdinger (product code 1409790) waste connection is recommended (for installation refer to Plumbdinger instructions).
4. Fit selected waste to bath and ensure waste is siliconed around rim.
5. Inspect thoroughly for leaks.