




AFA  
SINKS



UNSURPASSED QUALITY. OUTSTANDING STYLE.  
AFA SETS THE STANDARD IN CONTEMPORARY  
SINKWARE. A CHOICE OF ARCHITECTURALLY  
INSPIRED DESIGNS THAT ENHANCE THE AESTHETICS  
OF YOUR KITCHEN. PRESSED FROM HIGH QUALITY  
304 GRADE STAINLESS STEEL, EACH AFA SINK  
IS ENGINEERED TO BE AS DURABLE AS IT IS  
BEAUTIFUL. INNOVATIVE SOUND DEADENING PADS  
AND ANTI-CONDENSATION TREATMENT MAKE  
AFA THE LEADER IN HIGH END SINK DESIGN.



**Product Quality Guarantee**

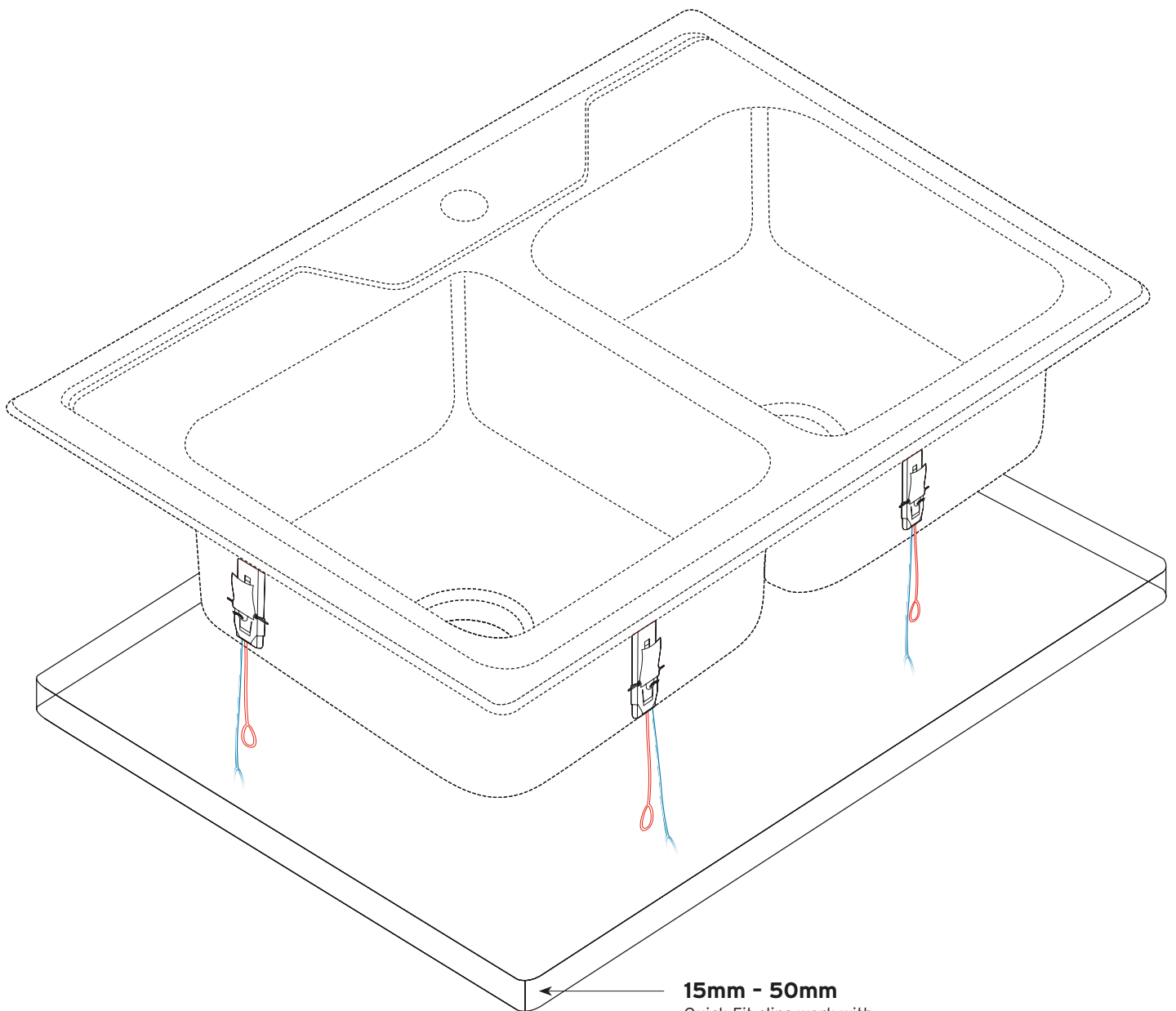
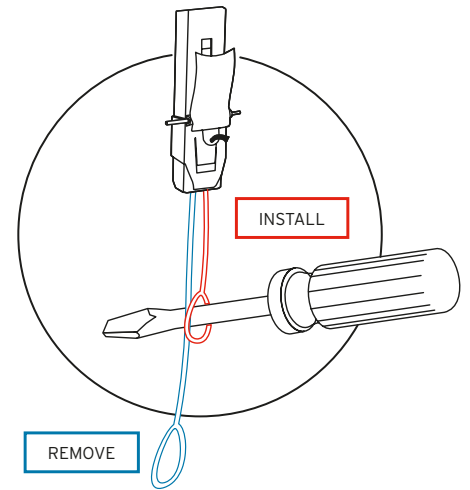
AFA sinks are covered by a 25 year product replacement warranty.

To see the full Reece Product Quality Guarantee, visit [www.reece.com.au/warranties](http://www.reece.com.au/warranties)



# NOW WITH QUICK-FIT CLIPS FOR FAST & EASY INSTALLATION.

AFA INSET SINKS NOW FEATURE INNOVATIVE QUICK-FIT CLIPS AROUND THE BOWL, DESIGNED TO MAKE INSTALLATION SIMPLER THAN EVER.



**15mm - 50mm**  
Quick-Fit clips work with all bench thicknesses between 15mm - 50mm.

## QUICK-FIT INSTALLATION

COMPATIBLE WITH BOWL ONLY DESIGNS

## HYBRID QUICK-FIT INSTALLATION

FOR INSET SINKS WITH DRAINERS, COMBINE QUICK-FIT CLIPS AROUND THE BOWL AND INSET CLIPS AROUND THE DRAINER

# EXACT

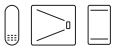
EXACT COMBINES PRECISION WITH PRACTICALITY. A SOFTER 15MM CORNER RADIUS GIVES THE RANGE ITS DISTINCT VISUAL CONTOURS. PRESSED FROM 1.2-1.5MM THICK STAINLESS STEEL AND WITH OPTIONS FOR BOTH INSET AND UNDERMOUNT INSTALLATION.

## INSET



**DOUBLE BOWL 798MM**  
1 Tap Hole, Each Bowl Capacity 28.5L

Suitable Exact Accessories



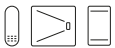
## INSET OR UNDERMOUNT



**DOUBLE BOWL 792MM**  
0 Tap Hole, Each Bowl Capacity 28.5L

Quick-Fit Installation Option Available

Suitable Exact Accessories



**DOUBLE BOWL 1208MM**  
0 Tap Hole, Left and Right Hand Bowl Available  
Each Bowl Capacity 28.5L

Hybrid Quick-Fit Installation Option Available

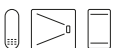
Suitable Exact Accessories



**SINGLE BOWL 404MM**  
0 Tap Hole, Bowl Capacity 28.5L

Quick-Fit Installation Option Available

Suitable Exact Accessories



**SINGLE BOWL 950MM**  
0 Tap Hole, Left and Right Hand Bowl Available  
Bowl Capacity 36L

Hybrid Quick-Fit Installation Option Available

Suitable Exact Accessories



Universal accessories  
suitable for all Exact sinks





For added convenience, these sinks can be installed either undermount or inset. Delivering the very latest designer look, undermount sinks provide uncluttered lines as well as easy benchtop cleaning. Simple to retrofit, inset sinks are the ideal upgrade - adding instant style to your existing kitchen.

# UNDERMOUNT



**DOUBLE BOWL 796MM**  
0 Tap Hole, Undermount Installation  
Each Bowl Capacity 32L



**1 & 3/4 BOWL 854MM**  
0 Tap Hole, Undermount Installation  
Bowl Capacity 46.5L Large, 30L Small



**1 & 1/4 BOWL 599MM**  
0 Tap Hole, Undermount Installation  
Bowl Capacity 27L Large, 6L Small



**SINGLE BOWL 388MM**  
0 Tap Hole, Undermount Installation  
Bowl Capacity 29L



**SINGLE BOWL 540MM**  
0 Tap Hole, Undermount Installation  
Bowl Capacity 48L



**SINGLE BOWL 768MM**  
0 Tap Hole, Undermount Installation  
Bowl Capacity 80L

# INSET OR UNDERMOUNT

For added convenience, these sinks can be installed either inset or undermount. Delivering the very latest designer look, undermount sinks provide uncluttered lines as well as easy benchtop cleaning. Simple to retrofit, inset sinks are the ideal upgrade - adding instant style to your existing kitchen.



**SINGLE BOWL 838MM**  
1 Tap Hole Inset or Undermount Installation  
Left and Right Hand Bowl Available  
Bowl Capacity 28L

Hybrid Quick-Fit Installation Option Available  
Suitable Flow Accessories



**DOUBLE BOWL 838MM**  
1 Tap Hole, Inset or Undermount Installation  
Bowl Capacity 28L

Quick-Fit Installation Option Available  
Suitable Flow Accessories



**DOUBLE BOWL 1211MM**  
1 Tap Hole, Inset or Undermount Installation  
Left and Right Hand Bowl Available  
Each Bowl Capacity 28L

Hybrid Quick-Fit Installation Option Available  
Suitable Flow Accessories



Universal accessories suitable  
for all Flow sinks





# FLOW

WITH ITS GENTLE, EFFORTLESS CURVES, FLOW REPRESENTS TIMELESS SOPHISTICATION. PRESSED FROM 0.9-1.2MM STAINLESS STEEL AND AVAILABLE IN SINGLE AND DOUBLE BOWL OPTIONS AS INSERT OR UNDERMOUNT.









# INFINITY

INFINITY EXTENDS AFA'S INNOVATIVE DESIGN FLAIR BEYOND THE WALLS OF THE HOME WITH THESE OUTDOOR LIVING OPTIONS. PRESSED FROM 316 MARINE GRADE STAINLESS STEEL AND SUITABLE FOR INSET INSTALLATION. IDEAL FOR ALFRESCO AREAS OR OUTDOOR KITCHENS, THEY'RE MADE SPECIFICALLY TO STAND UP TO AUSTRALIA'S HARSH WEATHER.



## **SINGLE BOWL SINK 450MM**

0 Tap Hole, Inset Installation  
316 Stainless Steel  
Bowl Capacity 33L

Quick-Fit Installation Option Available



## **SINGLE BOWL SINK 510MM**

1 Tap Hole, Inset Installation  
316 Stainless Steel  
Bowl Capacity 43L

Quick-Fit Installation Option Available

Universal accessories suitable  
for all Infinity Sinks





# ACCESSORIES

AFA'S BEAUTIFULLY DESIGNED SELECTION OF HIGH QUALITY ACCESSORIES INTEGRATE SEAMLESSLY WITH EACH SINK RANGE TO MAKE YOUR KITCHEN A HIGHLY FUNCTIONAL WORK SPACE.



# EXACT

All Exact Accessories suit all Exact sinks.



**COLANDER**  
423 x 146MM  
Stainless Steel



**DRAINER TRAY**  
428 x 388MM  
Stainless Steel



**CHOPPING BOARD**  
423 x 235MM



# FLOW



**COLANDER**  
117 X 382MM  
Polypropylene



**DISH DRAINER TRAY**  
421 X 381MM  
Stainless Steel



**CHOPPING BOARD**  
305 X 385MM



# UNIVERSAL

All Universal Accessories suit all AFA sinks.



**DISH BASKET**  
365 X 295MM  
Stainless Steel



**DISH RACK**  
304 X 117MM  
Stainless Steel



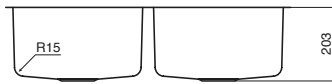
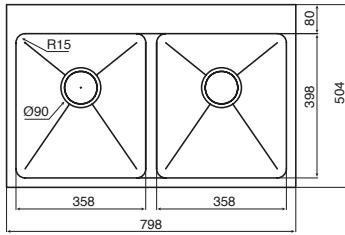
**WASTE BIN**  
Ø300MM  
Stainless Steel  
Capacity 27L



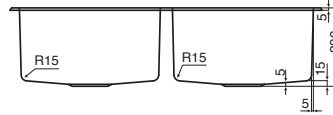
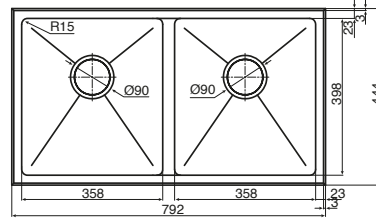
**ROLLER MAT**  
540 X 430MM  
Stainless Steel  
Nitrile butadiene  
rubber (NBR)



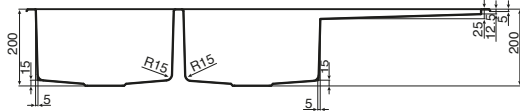
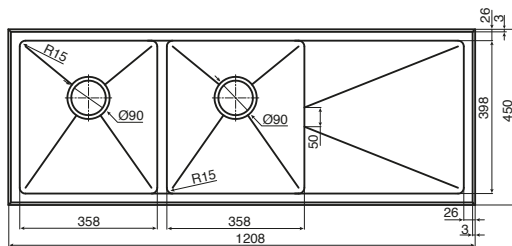
# EXACT



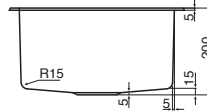
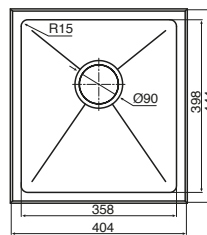
**DOUBLE BOWL 798MM  
- 1 TAPHOLE**



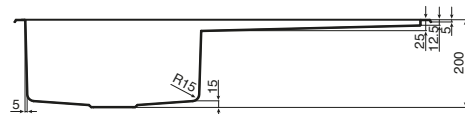
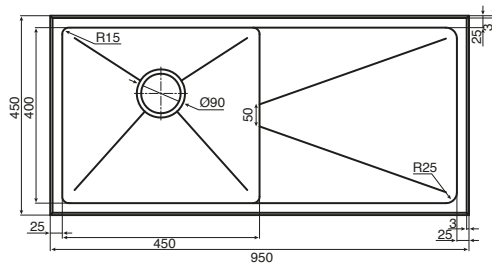
**DOUBLE BOWL 792MM**



**DOUBLE BOWL 1208MM**



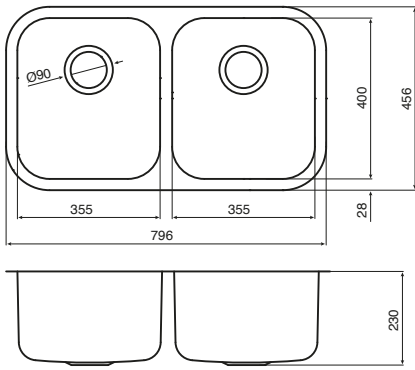
**SINGLE BOWL 404MM**



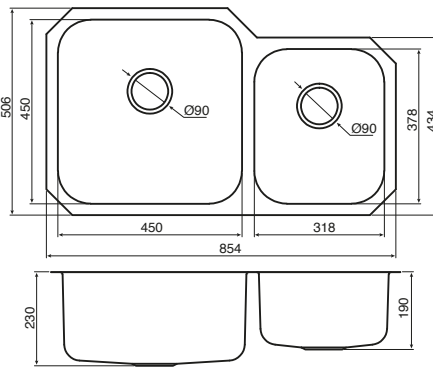
**SINGLE BOWL 950MM**



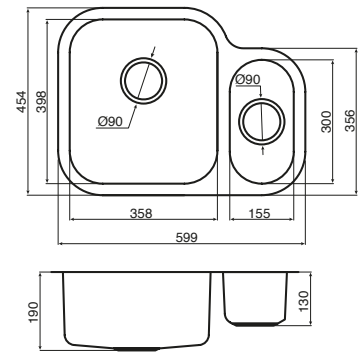
# FLOW



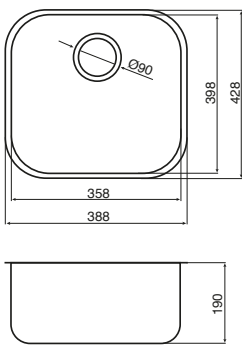
**DOUBLE BOWL 796MM**



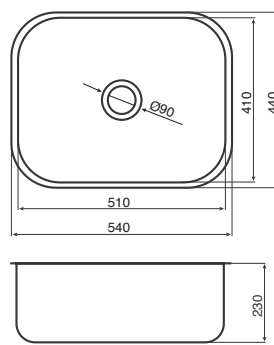
**1 & 3/4 BOWL 854MM**



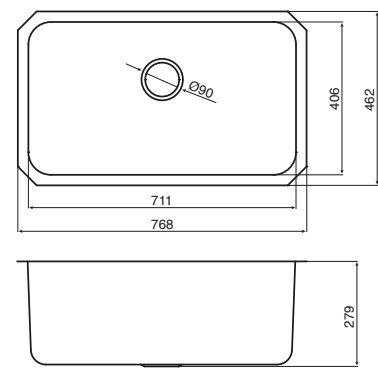
**1 & 1/4 BOWL 599MM**



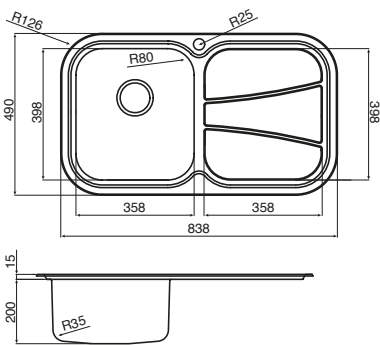
**SINGLE BOWL 388MM**



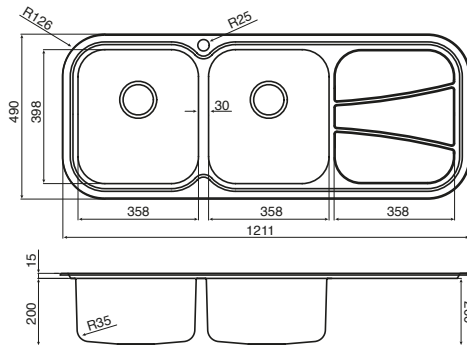
**SINGLE BOWL 540MM**



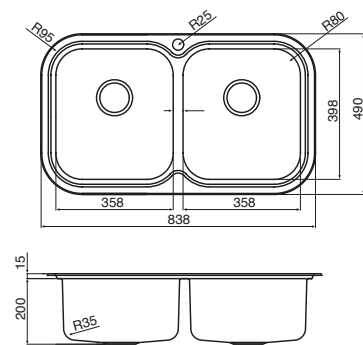
**SINGLE BOWL 768MM**



**SINGLE BOWL 838MM**

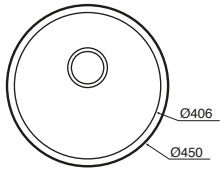


**DOUBLE BOWL 1211MM**

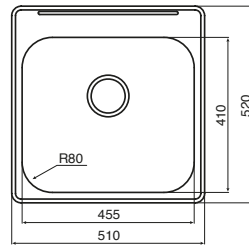


**DOUBLE BOWL 838MM**

# INFINITY

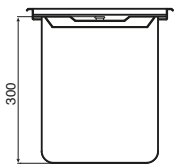
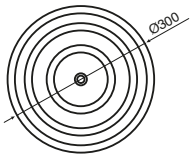


**OUTDOOR SINK 450MM**



**OUTDOOR SINK 510MM**

# UNIVERSAL ACCESSORIES



**WASTE BIN**





## Bathroom Happiness

Visit any one of our 300 showrooms around Australia for all the latest products, concepts and inspiration to make your bathroom whatever you want it to be. And for the ultimate bathroom experience, go to one of our bathroom life™ stores where you will find the biggest range of leading Australian and international brands.

Call **1800 032 566** or visit **[www.reece.com.au](http://www.reece.com.au)** for your nearest bathroom showroom.

Due to limitations in the printing process the colours in this brochure are a guide only. The manufacturer/distributor reserves the right to vary specifications or delete models from their range without prior notification. The manufacturer/distributor takes no responsibility for printing errors. AFA sinks are covered by a 25 year product replacement warranty. See [www.reece.com.au/warranties](http://www.reece.com.au/warranties) for more information.

V21 [BROCHURE CODE 9500092]

