

 **PLASSON**®
AUSTRALIA

SERIES ← **ONE**



THE PUSH-FIT
BUILT TO LAST

Fast install — Compact design — Tamper proof





ONE STRONG PARTNERSHIP. ONE GREAT FITTING.

Reece is committed to improving the lives of customers and people by striving for greatness every day.

PLASSON Australia's commitment to outstanding product, service and support has made us industry leaders here for over 44 years.

PLASSON fittings may appear simple on the outside, but what is on the inside results from decades of innovation. We continually review and refine our products. Delivering on detail drives us.

Take our revolutionary captive O-ring: it means Series One and PLASSON Metric Compression fittings seal water-tight the moment they go on the pipe. This simple innovation is seriously smart, delivering easier installation and more reliable connections, which has flow on benefits for everyone.

PLASSON is proud to join the Reece team to help improve lives, innovate big and small, keep it simple, try, own it, do the right thing, be humble, grow as a team, discover our best and write the next chapter.



SERIES ONE.

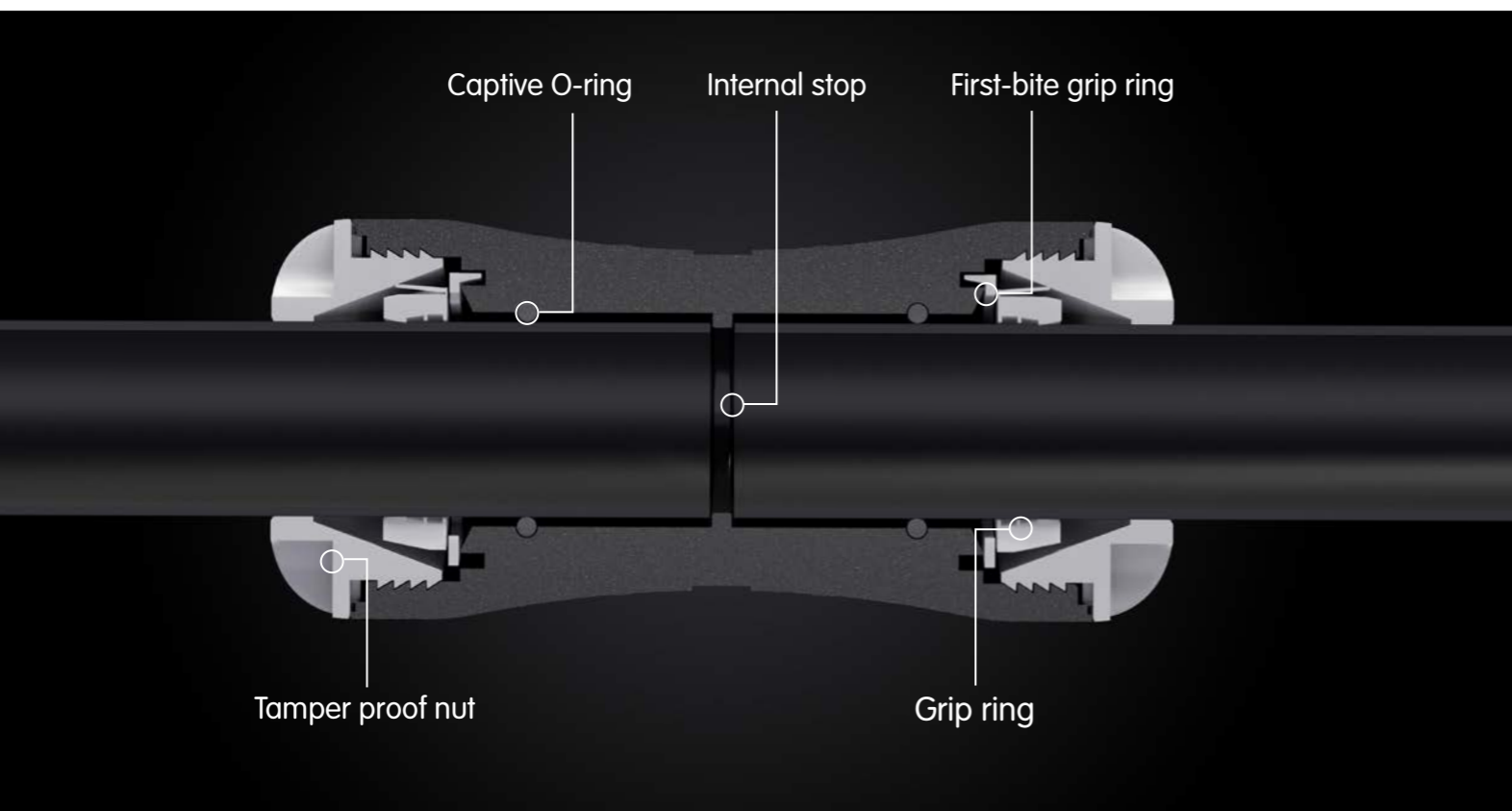
How Series One Gets The Job Done

Curious how PLASSON Series One fittings make a secure water-tight seal with a simple push onto the pipe? PLASSON has engineered an innovative two-stage grip ring system. Strong angled teeth and a tapered design ensures a strong, secure grip and the more pressure the join is placed under, the tighter the Series One fitting will grip the pipe.

PLASSON fittings also feature an innovative O-ring that is held firmly in place in a special groove in the fitting. The O-ring can't fall out and it is always in the ideal spot to form a tight, waterproof seal.

Top 5 reasons to get the job done with Series One:

1. Installation takes three simple steps - no special tools required - so it is easier and faster to get the job done with Series One.
2. Series One fittings create secure, tamper-proof pipe connections without having to solder or use glue.
3. Pipes don't need to be perfectly dry for Series One installations. PVC must be dry before gluing and copper pipes dry before soldering.
4. Series One fittings can connect various materials for different uses. There is a purpose-built fitting for most pipe types in the range.
5. Although tamper-proof, Series One fittings can be removed using a special wrench so pipelines can be easily adjusted if required.



Technical Specifications

Materials

Compression Fittings

Body: Polypropylene, high grade copolymer

Nut: High Grade Polypropylene

Split Ring and Grip Ring: Acetal (POM)

Seal: Nitrile rubber (NBR)

Reinforcing Ring: Stainless steel on all female offtakes from 1.1/4" up to 2"

Operating Temperatures

PLASSON Series One fittings are not to be used with hot water, although they will withstand the same temperature as the polyethylene pipe itself. Series One fittings will withstand sub zero temperatures.

Chemical Resistance

PLASSON fittings are supplied, as standard, with polyacetal split and grip rings and NBR seals which are suitable for water. EPDM seals are available for chemical applications.

Operating Pressures and Quality Certificates

PLASSON Series One fittings are tested and approved for compliance with AS/NZS 4129:2020 and are pressure rated PN16. Series One fittings carry both WaterMark and ISO Type 5 certifications.

Threads

Threads marked "R", "Rp" and "Rc" are according to ISO 7-1.

Note

PLASSON Series One fittings are not recommended for compressed air applications or positive displacement pumps where the line pressure drops to zero between cycles. For compressed air or positive displacement pumped applications, please use our Line 7 range of fittings.

Before installation, ensure that the end of the pipe to be inserted into the fitting is free of scratches and other imperfections and that both the pipe and the fitting itself are free of sand, mud, stones, etc. If fittings are reused, ensure that split ring and grip ring teeth are sharp and bite into the pipe, to avoid pullouts. If uncertain, replace the split ring and grip ring.

Tips









We strongly recommend the use of PTFE tape in threaded connections.





For diameters 40mm and above, chamfering and lubrication of the pipe end will ease insertion (use silicone based lubricant).

PLASSON Series 1

1410		
Page 8	Coupler	
1505		
Page 8	Copper Pipe Connector	
17610/1761Q		
Page 9	Slip Repair Coupler	
1410/1412		
Page 9	Reducing Coupler	
1410		
Page 10	End Plug	
1410/1412		
Page 10	Male Adaptor	
1410		
Page 11	Female Adaptor	
1412		
Page 11	Universal Adaptor	
1410		
Page 12	90° Tee	

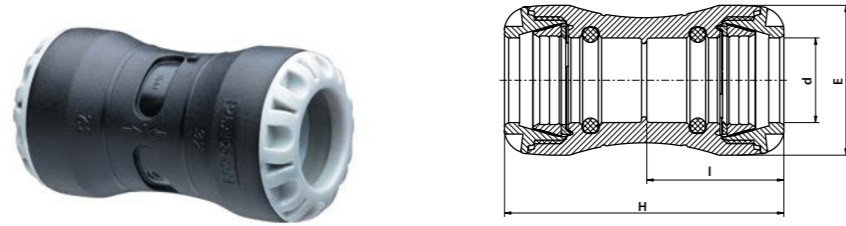
1410/1412		
Page 12	90° Reducing Tee	
1410/1412		
Page 13	90° Tee with Threaded Female Offtake	
1410		
Page 13	90° Elbow	
1412		
Page 14	45° Elbow	
1410		
Page 14-15	Wall Plate Elbow with Threaded Female Offtake	
1412		
Page 15	90° Reducing Elbow	
1410/1412		
Page 16	90° Elbow with Threaded Male Offtake	
1412		
Page 16	45° Elbow with Threaded Male Offtake	

1410/1412		
Page 17	90° Elbow with Threaded Female Offtake	
1410/1412		
Page 17	Compression Stoptap	
1410		
Page 18	PLASSON Series One Wrench	
18960		
Page 18	Chamfer Tool for PE Pipes	
1412		
Page 19	Nut	
1412		
Page 19	NBR O-Ring	
10002D		
Page 20	EPDM O-Ring	
1412		
Page 20	NBR Shaped Seal	
10002D9		
Page 21	EPDM Shaped Seal	

14121		
Page 21	Split Ring	
14121		
Page 22	Grip Ring	
Installation Instructions		
Page 25	Installation Instructions	
Disassembly		
Page 26	Disassembly	

Coupler

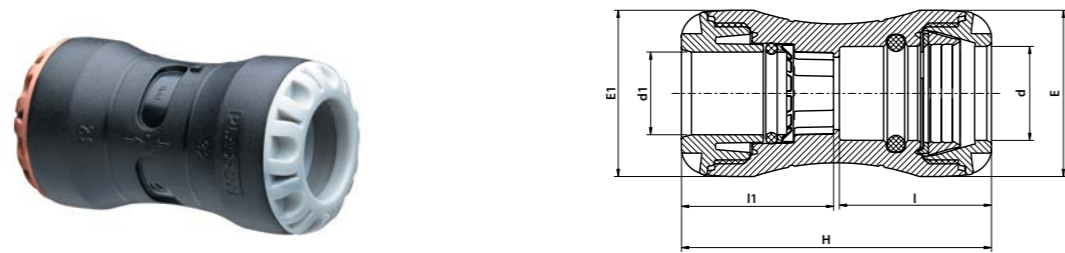
1410



Product Code	Size d	E	H	I	W
		mm			grams
1410320	20	41	92	45	64
1410321	25	47	98	48	80
1410322	32	58	108	53	126
1410323	40	70	142	70	256
1410324	50	85	158	78	369
1410325	63	103	183	90	620

Copper Pipe Adaptor

1505



Product Code	Size d x d1	E	H	I	I1	E1	W
		mm					grams
1505341	20 X DN 20 (3/4" -19.0)	47	100	52	44	41	68
1505342	25 X DN 15 (1/2" -12.7)	47	100	48	46	41	79
1505343	25 X DN 20 (3/4" - 19.0)	47	98	48	48	47	81
1505344	25 X DN 25 (1" -25.3)	47	109	48	57	58	131
1505345	32 X DN 20 (3/4" -19.0)	47	109	54	47	58	131
1505346	32 X DN 25 (1" - 25.3)	58	109	54	53	58	203

Slip Repair Coupler

17610/1761Q



Product Code	Size d	E	H	I	W
		mm			grams
176100025	25	60	150	94	182
176100032	32	68	160	96	238

Reducing Coupler

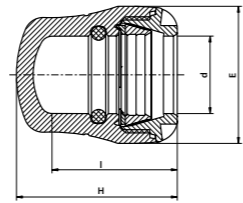
1410/1412



Product Code	Size d x d1	E	H	I	I1	E1	W
		mm					grams
1410349	25 x 20	47	100	48	45	41	75
1410350	32 x 20	58	106	54	45	41	95
1410351	32 x 25	58	110	54	48	47	109
1412175	40 x 25	70	137	71	51	58	182
1412169	40 x 32	70	139	71	55	58	196
1412170	50 x 25	85	151	79	46	47	262
1412171	50 x 32	85	151	79	55	58	285
1412172	50 x 40	85	165	77	53	58	326
1410499	63 x 32	103	170	91	55	58	446
1412173	63 x 40	103	184	91	72	70	485
1412174	63 x 50	103	187	91	81	85	542

End Plug

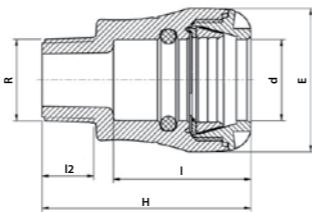
1410



Product Code	Size d	E	H	I	W
		mm			
1410352	20	41	56	45	39
1410353	25	47	60	48	50
1410354	32	58	68	53	82
1410355	40	70	90	71	146
1410356	50	85	102	79	229
1410357	63	103	117	91	379

Male Adaptor

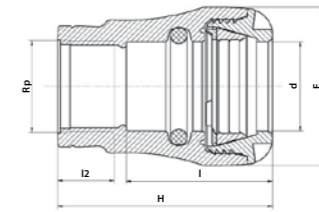
1410/1412



Product Code	Size d x R	E	H	I	I2	W
		mm				
1410326	20 x 1/2"	41	70	45	16	41
1410327	20 x 3/4"	41	71	45	17	41
1410328	25 x 1/2"	47	75	48	16	52
1410329	25 x 3/4"	47	76	48	17	52
1410330	25 x 1"	47	78	48	19	55
1410331	32 x 3/4"	58	82	55	17	83
1410332	32 x 1"	58	84	55	19	86
1410333	32 x 1 1/4"	58	86	55	21	90
1410495	32 x 1 1/2"	58	86	55	21	94
1412153	32 x 2"	58	97	55	25	138
1410334	40 x 1"	70	104	73	19	145
1410335	40 x 1 1/4"	70	106	73	21	149
1410336	40 x 1 1/2"	70	106	73	21	152
1412154	40 x 2"	70	110	73	25	161
1412155	50 x 1"	85	125	78	19	238
1412156	50 x 1 1/4"	85	122	78	21	234
1410337	50 x 1 1/2"	85	114	81	21	226
1410338	50 x 2"	85	118	81	25	232
1410339	63 x 1 1/2"	103	125	92	19	377
1410340	63 x 2"	103	129	92	25	367

Female Adaptor

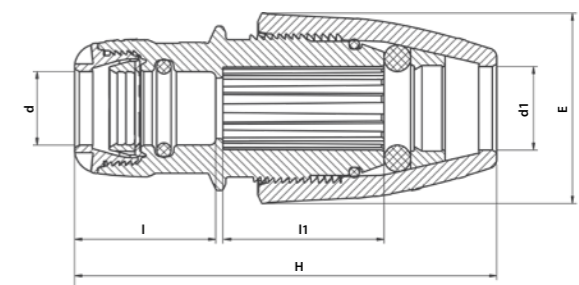
1410



Product Code	Size d x Rp	E	H	I	I2	W
		mm				
1410368	20 x 1/2"	41	67	45	17	43
1410369	20 x 3/4"	41	71	45	18	45
1410370	25 x 1/2"	47	70	48	17	52
1410371	25 x 3/4"	47	71	48	18	52
1410372	25 x 1"	47	80	48	21	60
1410373	32 x 3/4"	58	77	54	18	78
1410374	32 x 1"	58	79	54	21	81
1410375	32 x 1 1/4"	58	90	54	24	112
1412157	32 x 1 1/2"	58	95	54	24	123
1410449	40 x 1"	70	97	70	21	153
1410450	40 x 1 1/4"	70	100	70	24	171
1410451	40 x 1 1/2"	70	103	70	24	171
1410452	50 x 1 1/4"	85	110	78	24	241
1410453	50 x 1 1/2"	85	110	78	24	247
1410454	50 x 2"	85	118	78	29	252
1410455	63 x 1 1/2"	103	125	90	24	378
1410456	63 x 2"	103	129	90	29	379

Universal Adaptor

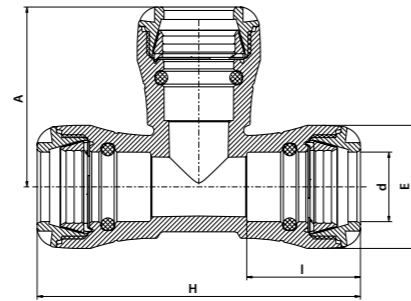
1412



Product Code	Size d x d1	E	H	I	I1	W
		mm				
1412144	25 x 14-18	54	117-137	48	47	130
1412145	25 x 19-22	57	119-130	48	47	141
1412146	25 x 24-28	66	130-142	48	55	180
1412147	25 x 31-35	76	150-158	48	62	243

90° Tee

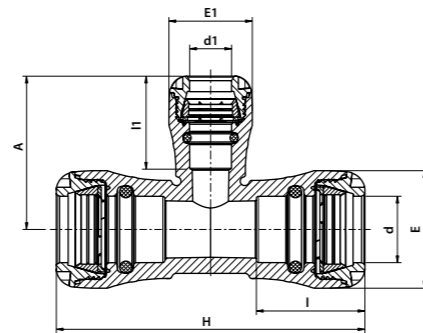
1410



Product Code	Size d	E	H	I	A	W
		mm				
1410341	20	41	123	45	71	103
1410342	25	47	134	48	78	137
1410343	32	58	152	54	84	221
1410387	40	70	192	70	108	429
1410388	50	85	214	78	124	667
1410389	63	103	262	90	147	1157

90° Reducing Tee

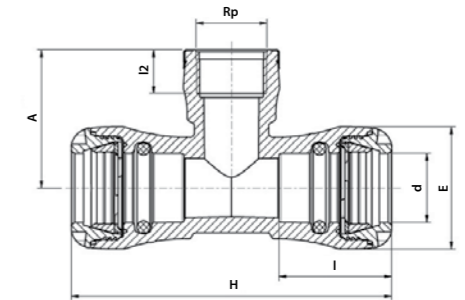
1410/1412



Product Code	Size d x d1 x d	E	H	I	I1	A	E1	W
		mm						
1410487	25 x 20 x 25	47	134	48	46	73	41	127
1410488	32 x 20 x 32	58	152	54	46	75	41	185
1410489	32 x 25 x 32	58	152	54	49	81	47	195
1412185	40 x 25 x 40	70	192	70	49	86	47	325
1412186	40 x 32 x 40	70	192	70	54	93	58	358
1412187	50 x 25 x 50	85	214	78	49	90	47	500
1412188	50 x 32 x 50	85	214	78	54	98	58	530
1412189	63 x 25 x 63	103	262	90	49	96	47	848
1412190	63 x 32 x 63	103	262	90	54	100	58	871

90° Tee with Threaded Female Offtake

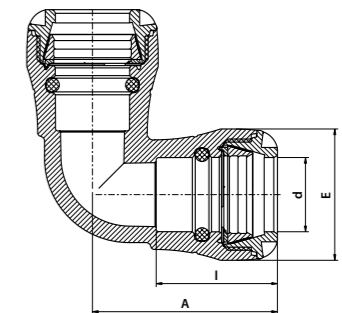
1410/1412



Product Code	Size d x Rp x d	E	H	I	I2	A	W
		mm					grams
1410457	20 x 1/2" x 20	41	123	45	17	43	84
1410458	20 x 3/4" x 20	41	123	45	18	46	88
1412176	20 x 1" x 20	41	123	45	21	52	99
1410459	25 x 1/2" x 25	47	134	48	17	46	105
1410460	25 x 3/4" x 25	47	134	48	18	46	107
1410461	25 x 1" x 25	47	134	48	21	54	114
1410462	32 x 3/4" x 32	58	152	54	18	52	172
1410463	32 x 1" x 32	58	152	54	21	55	183
1410464	32 x 1 1/4" x 32	58	152	54	24	63	215
1412177	40 x 1" x 40	70	192	70	21	65	304
1412178	40 x 1 1/4" x 40	70	192	70	24	73	333

90° Elbow

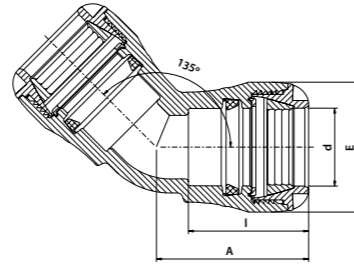
1410



Product Code	Size d	E	I	A	W
		mm			grams
1410344	20	41	45	67	75
1410345	25	47	48	73	96
1410346	32	58	54	81	157
1410347	40	70	70	106	291
1410348	50	85	78	119	462
1410390	63	103	90	141	799

45° Elbow

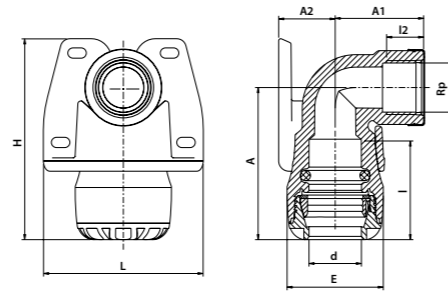
1412



Product Code	Size d	E	I	A	W
		mm			
1412165	32	58	54	67	142
1412166	40	70	71	88	263
1412167	50	85	79	100	428
1412168	63	103	90	118	719

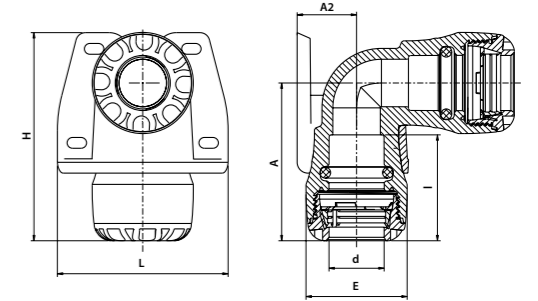
Wall Plate Elbow with Threaded Female Offtake

1410



Product Code	Size d x Rp	E	H	I	I2	A	A1	A2	L	W
		mm								
1410427	20 x 1/2"	41	95	45	17	67	39	28	73	92
1410428	20 x 3/4"	41	95	45	18	67	43	28	73	96
1410429	25 x 1/2"	47	98	48	17	74	40	28	78	110
1410430	25 x 3/4"	47	98	48	18	74	43	28	78	116

Wall Plate Elbow

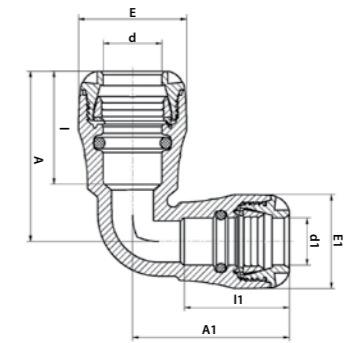


Product Code	Size d x d	E	H	I	A	A2	L	W
		mm						
107500025*	25 x 25	47	98	48	74	28	78	138

* Reece code unavailable

90° Reducing Elbow

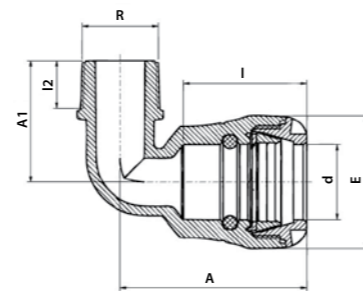
1412



Product Code	Size d x d1	E	I	I1	A	A1	E1	W
		mm						
1412193	25 x 20	47	48	46	74	68	41	90

90° Elbow with Threaded Male Offtake

1410/1412

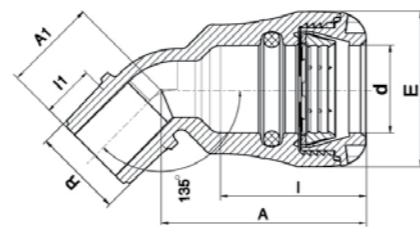


Product Code	Size d x R	E	I	I2	A	A1	W
		mm					grams
1410358	20 x 1/2"	41	45	16	66	41	47
1410359	20 x 3/4"	41	45	17	66	42	52
1410360	25 x 1/2"	47	48	16	74	44	57
1410361	25 x 3/4"	47	48	17	74	45	64
1410362	25 x 1"	47	48	19	74	47	65
1410363	32 x 3/4"	58	53	17	81	51	90
1410364	32 x 1"	58	53	19	81	53	92
1410365	32 x 1 1/4"	58	53	21	81	54	114
1412198	32 x 1 1/2"	58	53	22	81	62	130
1412199	32 x 2"	58	53	25	89	66	147
1410437	40 x 1"	70	71	19	107	57	173
1410438	40 x 1 1/4"	70	71	21	107	58	189
1410439	40 x 1 1/2"	70	71	21	107	60	194
108500050013*	50 x 1 1/4"	85	79	22	122	68	277
1412195	50 x 1 1/2"	85	79	21	122	68	290
108500063013*	63 x 1 1/4"	103	90	22	143	76	447
1412196	63 x 1 1/2"	103	90	21	143	78	458
1412197	63 x 2"	103	90	25	143	81	492

*Reece code unavailable

45° Elbow with Threaded Male Offtake

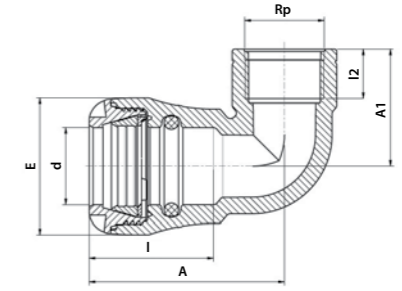
1412



Product Code	Size d x R	E	I	I1	A	A1	W
		mm					grams
1412191	32 x 1"	58	54	19	76	35	89
1412192	40 x 1 1/4"	70	70	21	96	40	163

90° Elbow with Threaded Female Offtake

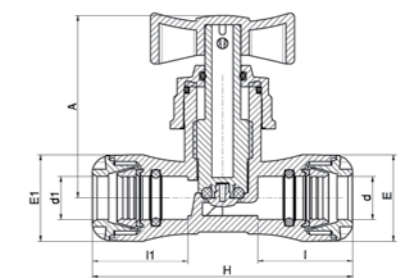
1410/1412



Product Code	Size d x Rp	E	I	I2	A	A1	W
		mm					grams
1410431	20 x 1/2"	41	45	17	67	39	51
1410432	20 x 3/4"	41	45	18	67	43	55
1410484	20 x 1"	41	45	21	67	49	64
1410486	25 x 1/2"	47	48	17	74	40	63
1410433	25 x 3/4"	47	48	18	74	43	70
1410485	25 x 1"	47	48	21	74	50	82
1410434	32 x 3/4"	58	54	18	83	45	95
1410435	32 x 1"	58	54	21	83	49	111
1410436	32 x 1 1/4"	58	54	24	83	60	145
1412179	40 x 1"	70	72	21	107	51	179
1412180	40 x 1 1/4"	70	72	24	107	61	226
1412181	40 x 1 1/2"	70	72	24	107	65	244
1412182	50 x 1 1/2"	85	79	24	119	63	330
1412183	50 x 2"	85	79	29	119	75	349
1412184	63 x 2"	103	79	29	141	70	534

Compression Stoptap

1410/1412



Product Code	Size d x d1	E	H	I	I1	A	E1	W
		mm						grams
1410465	20 x 20	41	123	45	—	89	—	145
1410466	25 x 25	47	134	48	—	89	—	167
1412203	25 x 20	47	129	48	45	89	42	161
1410467	32 x 32	58	152	54	—	89	—	225

PLASSON Series One Wrench

1410



Product Code	Size	W
		grams
1410366	20 - 32	72
1410367	40 - 63	285

For item starting with 1761

Chamfer Tool for PE Pipes

18960

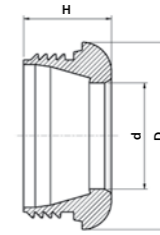


Product Code	Size	W
		grams
189600063020P*	20 - 63	86

* Reece code unavailable

Nut

1412



Product Code	Size d	D	H	W
		mm		grams
1412132	20	40	22	7
1412133	25	45	22	8
1412134	32	57	24	15
1412135	40	68	33	29
1412136	50	83	37	44
1412137	63	100	43	60

NBR O-Ring

1412



Product Code	Pipe Size	E	e	W
		mm		grams
1412120	20	19	4	1
1412121	25	24	5	2
1412122	32	31	6	4

EPDM O-Ring

10002D



Product Code	Pipe Size	E	e	W
		mm		grams
10002D020*	20	19	14	1
10002D025*	25	24	5	2
10002D032*	32	31	6	4

* Reece code unavailable

EPDM Shaped Seal

10002D9



Product Code	Pipe Size	E	e	W
		mm		grams
10002D940*	40	38	10	7
10002D950*	50	48.6	10	9
10002D963*	63	60.6	11	13

* Reece code unavailable

NBR Shaped Seal

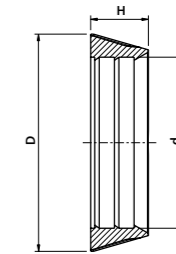
1412



Product Code	Pipe Size	E	e	W
		mm		grams
1412123	40	38	10	8
1412124	50	49	10	11
1412125	63	61	11	15

Split Ring

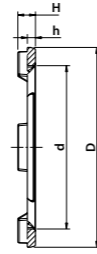
1412



Product Code	Size d	D	H	W
		mm		grams
1412126	20	27	9	2
1412127	25	33	9	3
1412128	32	42	11	4
1412129	40	52	14	14
1412130	50	64	17	14
1412131	63	81	21	27

Grip Ring

1412

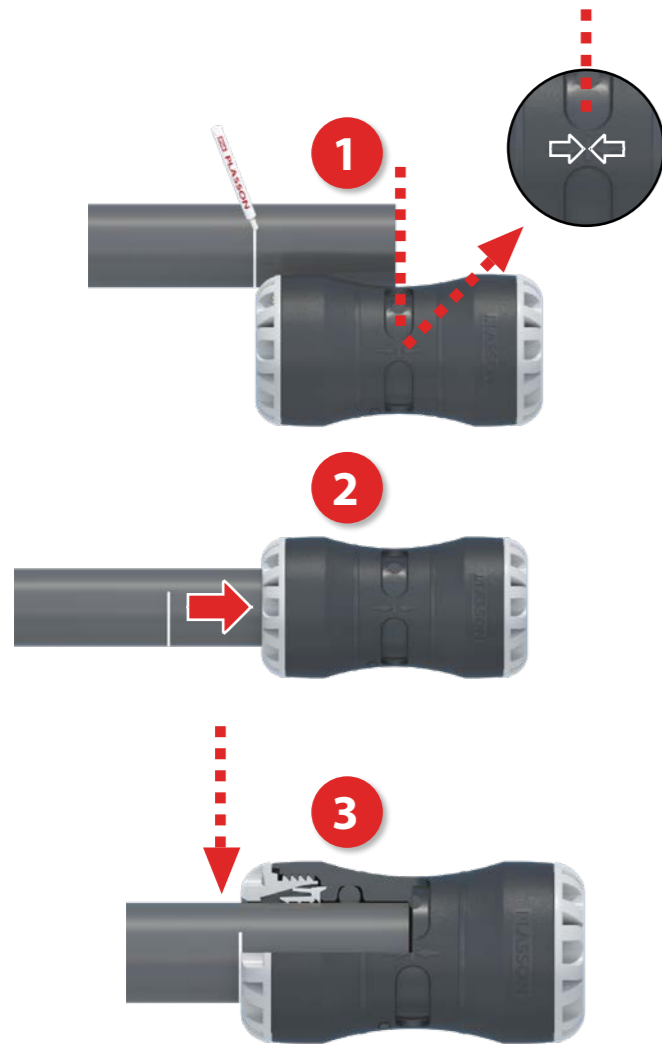


Product Code	Size d	D	H	h	W
		mm			grams
1412138	20	27	4	2	1
1412139	25	33	4	2	1
1412140	32	42	4	2	1
1412141	40	52	4	2	2
1412142	50	64	4	3	3
1412143	63	80	5	3	6

INSTALLATION GUIDE



Installation Instructions



Step 1

- Clean pipe end
- Remove blurs
- Mark insertion depth using the guide on fitting
- Size 40mm and above - chamfering the pipe with a Plasson chamfer tool and using silicone based lubricant will ease insertion.

Step 2

- Insert pipe past O-ring until it meets the internal stop

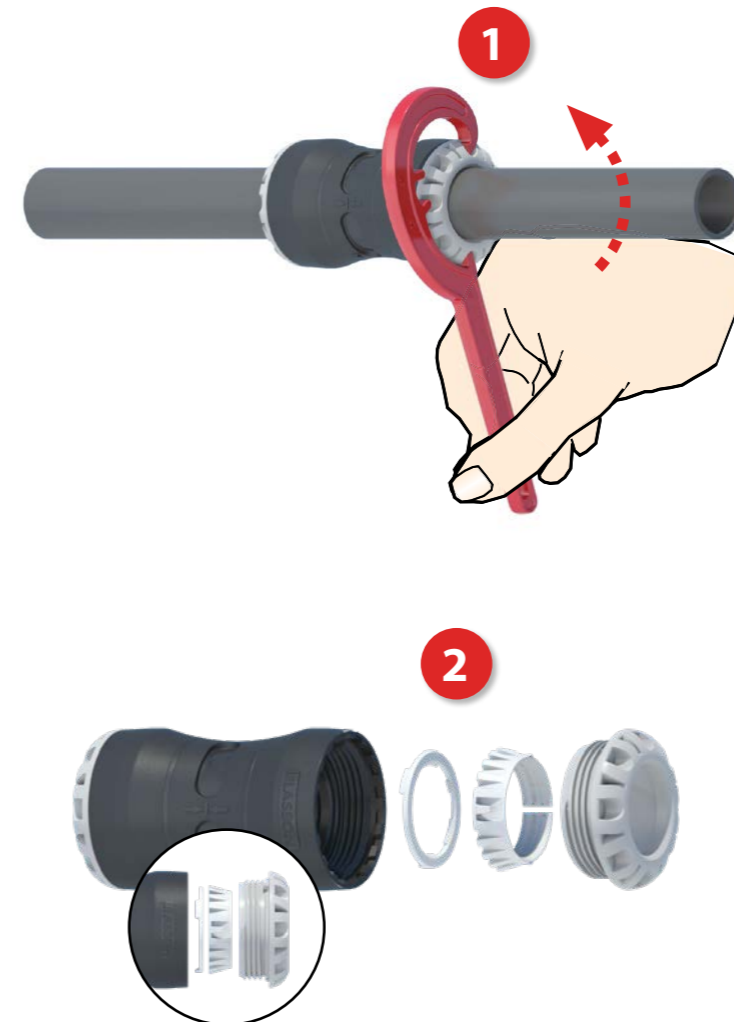
Step 3

- Check witness mark to ensure pipe inserted correctly

Tips for Using Series 1 Fittings

- Make sure there aren't any burrs or rough edges on the pipe ends as this can damage the O-ring and compromise the seal quality.
- Ensure you select the right Series One fitting for your intended use.

Disassembly



Tips

- PLASSON make a special wrench for uninstalling Series One fittings. It is a good idea to have this tool in your kit even if you are planning a permanent repair.

SERIES ONE: PLASSON INNOVATION MAKES THE JOB EASIER

PLASSON already enjoys a reputation as a world-leading manufacturer of reliable fittings for polyethylene pipe systems. With Series One, we are taking our commitment to innovative design and engineering one step further.

The Series One range offers dedicated solutions for connecting PE pipe to various other pipe materials, such as Copper, Polybutylene and PEX.

Series One fittings have a 16 bar pressure rating. Simply insert the pipe into the fitting up to the internal stop for a secure seal and grip on the pipe.

The compact and attractive design means Series One is the only one for design and space-conscious plumbing applications.

Installation requires no special tools and with three simple steps, both professional and DIY installers can enjoy the benefits of a reliable PLASSON connection.

The combination of PLASSON compression fitting and innovative Series One range offers all markets reliable options for PE pipe connections and connections to other pipe materials.

HERE ARE JUST SOME SERIES ONE INNOVATIONS:

- **Instant seal and water-tight joint**
No nuts to tighten
- **Assembly tools not required**
Simple three step installation
- **Clean and compact**
Ideal for confined spaces or where looks count
- **Full end load performance**
No need to restrain joints
- **Transition from PE to internal plumbing systems**
Copper, PB and PEX - in one fitting
- **50 year design life**
Provides total reliability
- **Tamper resistant design**
Ensures system integrity
- **Compact design**
reduces stock shelf space

CONNECTING AUSTRALIA FOR OVER 45 YEARS

When the job calls for flexible fittings that can withstand a range of conditions, pressures and aggressive fluids, connect with PLASSON.

PLASSON metric compression fittings have an innovative O-ring design that delivers a water-tight seal the instant the fitting goes on the pipe.

All PLASSON fittings are engineered to deliver leak-free, long-lasting connections. Made from high-quality materials and designed to handle hot and cold climates, PLASSON metric compression fittings are ideal for residential and commercial plumbing as well as civil and industrial pipelines.

SmartFuse - the smart electrofusion fittings

PLASSON has a reputation for manufacturing innovative electrofusion fittings including couplers, saddles, tees, reducing tees, elbows, adjustable elbows and transitional fittings.

SmartFuse fittings have resistors that feed the correct weld parameters into the PLASSON EF Control Box as soon as the fitting is connected. No manual entry and no scanning means it's faster to perform each and every weld plus the potential for costly input errors are eliminated.

SmartFuse System - more control, better data

Using the SmartFuse App with a PLASSON EF Control Box, installers are not only guided through the weld, but the app also captures images of each step. These records are stored along with details of the fitting installed, GPS location, installer ID, weld data and weather information.

This data can be saved on USB, which is handy in remote areas with limited internet access, or automatically uploaded to the cloud, delivering detailed real-time data to managers and asset owners.





SERIES → ONE

Connect with us for further information, technical support and service:

PLASSON Australia
1300 752 776
sales@plasson.com.au
www.plasson.com.au

